

# PARTS LIST

## CAUTION

- The parts identified by the  $\triangle$  symbol are important for the safety. Whenever replacing these parts, be sure to use specified ones to secure the safety.
- The parts not indicated in this Parts List and those which are filled with lines  $\text{—}$  in the Parts No. columns will not be supplied.
- P. W. Board Ass'y will not be supplied, but those which are filled with the Parts No. in the Parts No. columns will be supplied.

### ABBREVIATIONS OF RESISTORS, CAPACITORS AND TOLERANCES

RESISTORS		CAPACITORS	
C R	Carbon Resistor	C CAP.	Ceramic Capacitor
F R	Fusible Resistor	E CAP.	Electrolytic Capacitor
P R	Plate Resistor	M CAP.	Mylar Capacitor
V R	Variable Resistor	HV CAP.	High Voltage Capacitor
HV R	High Voltage Resistor	MF CAP.	Metalized Film Capacitor
MF R	Metal Film Resistor	MM CAP.	Metalized Mylar Capacitor
MG R	Metal Glazed Resistor	MP CAP.	Metalized Polystyrol Capacitor
MP R	Metal Plate Resistor	PP CAP.	Polypropylene Capacitor
OM R	Metal Oxide Film Resistor	PS CAP.	Polystyrol Capacitor
CMF R	Coating Metal Film Resistor	TF CAP.	Thin Film Capacitor
UNF R	Non-Flammable Resistor	MPP CAP.	Metalized Polypropylene Capacitor
CH V R	Chip Variable Resistor	TAN. CAP.	Tantalum Capacitor
CH MG R	Chip Metal Glazed Resistor	CH C CAP.	Chip Ceramic Capacitor
COMP. R	Composition Resistor	BP E CAP.	Bi-Polar Electrolytic Capacitor
LPTC R	Linear Positive Temperature Coefficient Resistor	CH AL E CAP.	Chip Aluminum Electrolytic Capacitor
		CH AL BP CAP.	Chip Aluminum Bi-Polar Capacitor
		CH TAN. E CAP.	Chip Tantalum Electrolytic Capacitor
		CH AL BP E CAP.	Chip Tantalum Bi-Polar Electrolytic Capacitor

TOLERANCES									
F	G	J	K	M	N	R	H	Z	P
±1%	±2%	±5%	±10%	±20%	±30%	+30% -10%	+50% -10%	+80% -20%	+100% -0%

## CONTENTS

- USING PW BOARD & REMOTE CONTROL UNIT ..... 38
- EXPLODED VIEW PARTS LIST ..... 39, 40
- EXPLODED VIEW ..... 39, 40, 41
- PRINTED WIRING BOARD PARTS LIST
  - MAIN PW BOARD ASSY ..... 42
  - BKL PW BOARD ASS'Y ..... 45
  - POWER & DEF PW BOARD ASS'Y ..... 45
  - CRT SOCKET PW BOARD ASS'Y ..... 48
  - FRONT CONTROL PW BOARD ASSY ..... 49
  - MICOM PW BOARD ASS'Y [SMF0M801A-H2] ..... 50
  - MICOM PW BOARD ASS'Y [SMF0M802A-H2] ..... 52
  - MICOM PW BOARD ASS'Y [SMF0M803A-H2] ..... 54
  - MICOM PW BOARD ASS'Y [SMF0M804A-H2] ..... 56
  - AV SW PW BOARD ASSY ..... 58
  - SYNC SEP PW BOARD ASS'Y ..... 59
  - 100Hz PW BOARD ASS'Y ..... 60
- REMOTE CONTROL UNIT PARTS LIST ..... 63
- PACKING ..... 64
- PACKING PARTS LIST ..... 65

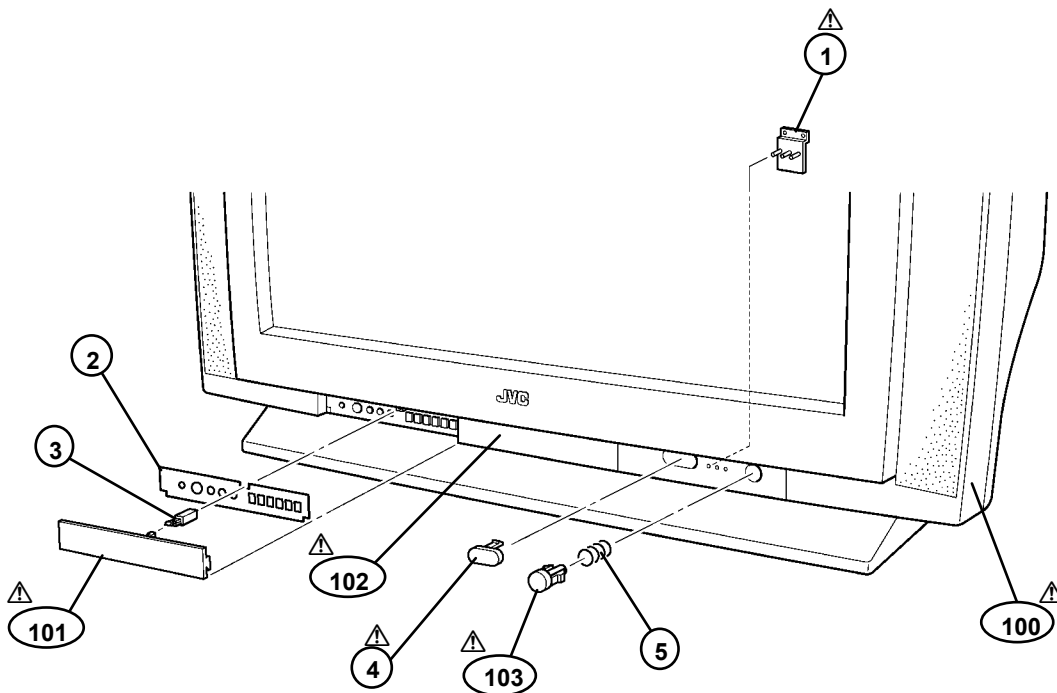
## USING PW BOARD & REMOTE CONTROL UNIT

△	Model		HV-34LPZ	HV-34LPZ/HK	HV-34LPZ/-A	HV-34LPZ/EE
	PWB ASS'Y					
	MAIN PWB		SMF-1501A-H2	←	←	←
	BLK PWB (Within MAIN PWB)		SMF0V502A-H2	←	←	←
	POWER&DEF PWB		SMF-2801A-H2	←	←	←
	CRT SOCKET PWB		SMF-3803A-H2	←	←	←
	FRONT CONTROL PWB		SMF-8501A-H2	←	←	←
	MICOM PWB		SMF0M801A-H2	SMF0M802A-H2	SMF0M803A-H2	SMF0M804A-H2
	AV SW PWB		SMF0S501A-H2	←	←	←
	SYNC SEP PWB		SMF0V501A-H2	←	←	←
	100Hz PWB		SMF0Z801A-H2	←	←	←
	REMOTE CONTROL UNIT		RM-C214-1C	RM-C215-1C	RM-C214-1C	←

## EXPLODED VIEW PARTS LIST ( I )

△ Ref.No.	Part No.	Part Name	Description
△ 1	LC31476-002B-H	LED LENS	
2	LC20778-003A-H	OPERATION SHEET	
3	CM48229-00A-C	DOOR LATCH	
△ 4	LC31474-001A-H	CONTROL WINDOW	
5	CM35235-003-H	SPRING	
△ 100	LC11231-001C-H	FRONT CABI. ASSY	Inc. No. 101~103 [HV-34LPZ]
△ 100	LC11231-010A-H	FRONT CABI. ASSY	Inc. No. 101~103 [HV-34LPZ/HK]
△ 100	LC11231-001C-H	FRONT CABI. ASSY	Inc. No. 101~103 [HV-34LPZ/-A]
△ 100	LC11231-001C-H	FRONT CABI. ASSY	Inc. No. 101~103 [HV-34LPZ/EE]
△ 101	LC20776-008A-H	DOOR	
△ 102	LC20777-001D-H	CENTER PANEL	
△ 103	LC31475-001B-H	POWER KNOB	

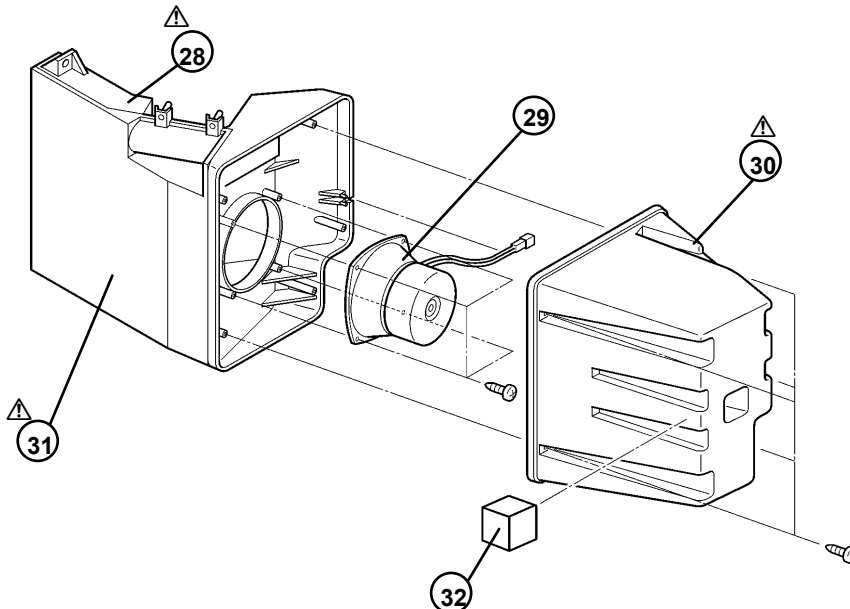
## EXPLODED VIEW ( I )



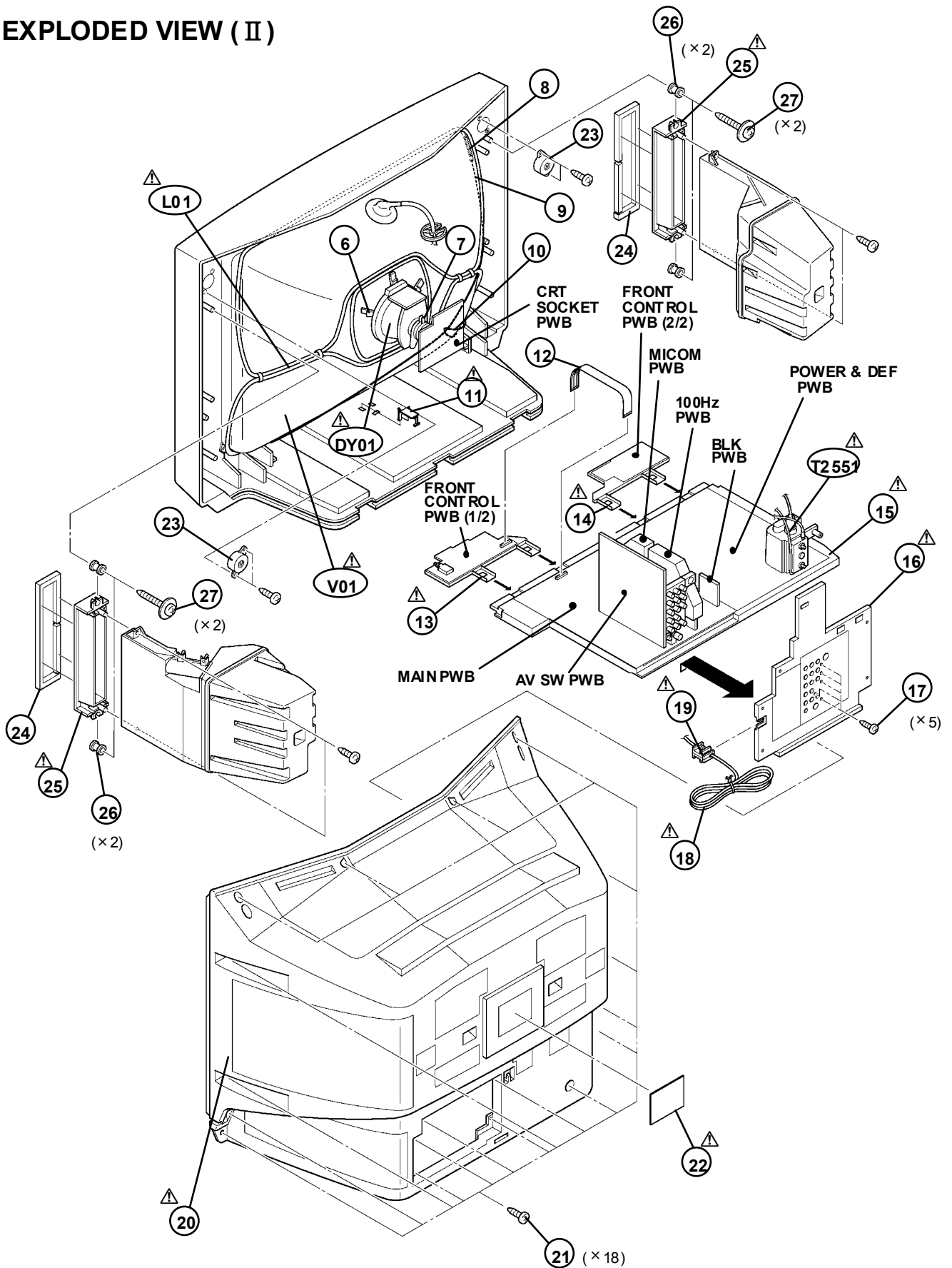
## EXPLODED VIEW PARTS LIST (II)

△ Ref.No.	Part No.	Part Name	Description
△ V01	A80LTM350X	PICTURE TUBE	
△ L01	QOW0111-001	DEG COIL	
△ DY01	QQD0058-001	DEF YOKE	
△ T2551	QQH0099-001	FB TRANSF.	With POWER&DEF PWB
6	CE41488-00A	WEDGE ASSY	(×4)
7	CE42733-00A	PC MAGNET	
8	A48457-3-H	SPRING	
9	WJY0008-005A	E-BRAIDED	
10	WJY0013-002A	E-BRAIDED (SUB)	
△ 11	LC30103-001B-H	CHASSIS ADAPTER	
12	CHFB125-08BD	FFC WIRE	
△ 13	LC11065-001A-H	CONTROL BASE(R)	
△ 14	LC11065-002A-H	CONTROL BASE(L)	
△ 15	LC10764-001A-H	CHASSIS BASE	
△ 16	LC10766-002A-H	AV BOARD	
17	QYSBSF3012M	TAP SCREW	(×5)For TERMINAL BOARD
△ 18	QMP40D0-200J5	POWER CORD	[HV-34LPZ]
△ 18	QMPN050-200-E2	POWER CORD	[HV-34LPZ/HK]
△ 18	QMPR010-200-E2	POWER CORD	[HV-34LPZ/-A]
△ 18	QMP40D0-200J5	POWER CORD	[HV-34LPZ/EE]
△ 19	CM23167-A01-H	POWER CORD CLAMP	
△ 20	LC10180-003A-HH	REAR COVER	[HV-34LPZ]
△ 20	LC10180-005A-H	REAR COVER	[HV-34LPZ/HK]
△ 20	LC10180-003A-HH	REAR COVER	[HV-34LPZ/-A]
△ 20	LC10180-003A-HH	REAR COVER	[HV-34LPZ/EE]
21	QYSBSFG4016Z	TAP SCREW	(×18)
△ 22	LC20377-001B-H	RATING LABEL	[HV-34LPZ]
△ 22	LC20377-012B-H	RATING LABEL	[HV-34LPZ/HK]
△ 22	LC20413-002B-H	RATING LABEL	[HV-34LPZ/-A]
△ 22	LC20377-009B-H	RATING LABEL	[HV-34LPZ/EE]
23	CEB5503K-01KJ2	SPEAKER(TWEETER)	(×2)SP03,SP04
24	CM34837-048-H	STICK SHEET	
△ 25	LC11083-001A-H	DOME ADAPTOR	(×2)
26	LC40226-003A-H	SPACER	(×4)
27	LC40317-002A-H	TAP SCREW	(×4)
△ 28	LC10197-001B-H	HORN	(×2)
29	QAS0091-001	SPEAKER	(×2)SP01,SP02
△ 30	LC10199-003B-H	DOME BOX	(×2)
△ 31	LC10198-001B-H	HORN PANE	(×2)
32	CM34837-A39-H	STICK SHEET	(×2)
--	WJX0014-001A	E-COAXIAL ASSY	
--	QQR0490-001	NOISE FILTER	

## EXPLODED VIEW (II)



# EXPLODED VIEW ( II )



# PRINTED WIRING BOARD PARTS LIST

## ■ MAIN P.W. BOARD ASS'Y (SMF-1501A-H2)

△ Symbol No.	Part No.	Part Name	Description
<b>RESISTOR</b>			
R1004	NRSA63J-101X	MG R	100Ω 1/16W J
R1005	NRSA63J-101X	MG R	100Ω 1/16W J
R1006	NRSA63J-0ROX	MG R	0.0Ω 1/16W J
R1008	NRSA63J-0ROX	MG R	0.0Ω 1/16W J
R1101	NRSA63J-102X	MG R	1kΩ 1/16W J
R1102	NRSA63J-181X	MG R	180Ω 1/16W J
R1108	NRSA63J-222X	MG R	2.2kΩ 1/16W J
R1104	NRSA63J-102X	MG R	1kΩ 1/16W J
R1105	NRSA63J-331X	MG R	330Ω 1/16W J
R1106	NRSA63J-270X	MG R	27Ω 1/16W J
R1107	NRSA63J-271X	MG R	270Ω 1/16W J
R1108	NRSA63J-102X	MG R	1kΩ 1/16W J
R1109	NRSA63J-101X	MG R	100Ω 1/16W J
R1110	NRSA63J-101X	MG R	100Ω 1/16W J
R1111	NRSA63J-101X	MG R	100Ω 1/16W J
R1151	NRSA63J-101X	MG R	100Ω 1/16W J
R1153	NRSA63J-101X	MG R	100Ω 1/16W J
R1155	NRSA63J-101X	MG R	100Ω 1/16W J
R1159	NRSA63J-0ROX	MG R	0.0Ω 1/16W J
R1161	NRSA63J-0ROX	MG R	0.0Ω 1/16W J
R1301	NRSA63J-101X	MG R	100Ω 1/16W J
R1302	NRSA63J-101X	MG R	100Ω 1/16W J
R1308	NRSA63J-273X	MG R	27kΩ 1/16W J
R1304	NRSA63J-102X	MG R	1kΩ 1/16W J
R1311	NRSA63J-472X	MG R	4.7kΩ 1/16W J
R1312	NRSA63J-273X	MG R	27kΩ 1/16W J
R1313	NRSA63J-183X	MG R	18kΩ 1/16W J
R1314	NRSA63J-221X	MG R	220Ω 1/16W J
R1315	NRSA63J-101X	MG R	100Ω 1/16W J
R1316	NRSA63J-101X	MG R	100Ω 1/16W J
R1317	NRSA63J-101X	MG R	100Ω 1/16W J
R1318	NRSA63J-562X	MG R	5.6kΩ 1/16W J
R1319	NRSA63J-183X	MG R	18kΩ 1/16W J
R1321	NRSA63J-0ROX	MG R	0.0Ω 1/16W J
R1322	NRSA63J-0ROX	MG R	0.0Ω 1/16W J
R1323	NRSA63J-332X	MG R	3.3kΩ 1/16W J
R1324	NRSA63J-332X	MG R	3.3kΩ 1/16W J
R1325	NRSA63J-101X	MG R	100Ω 1/16W J
R1326	NRSA63J-682X	MG R	6.8kΩ 1/16W J
R1401	NRSA63J-102X	MG R	1kΩ 1/16W J
R1402	NRSA63J-102X	MG R	1kΩ 1/16W J
R1408	NRSA63J-331X	MG R	330Ω 1/16W J
R1404	NRSA63J-331X	MG R	330Ω 1/16W J
R1405	NRSA63J-102X	MG R	1kΩ 1/16W J
R1406	NRSA63J-102X	MG R	1kΩ 1/16W J
R1451	NRSA63J-821X	MG R	820Ω 1/16W J
R1454	NRSA63J-472X	MG R	4.7kΩ 1/16W J
R1455	NRSA63J-123X	MG R	12kΩ 1/16W J
R1456	NRSA63J-123X	MG R	12kΩ 1/16W J
R1457	NRSA63J-392X	MG R	3.9kΩ 1/16W J
R1458	NRSA63J-123X	MG R	12kΩ 1/16W J
R1459	NRSA63J-472X	MG R	4.7kΩ 1/16W J
R1461	NRSA63J-123X	MG R	12kΩ 1/16W J
R1462	NRSA63J-153X	MG R	15kΩ 1/16W J
R1463	NRSA63J-124X	MG R	120kΩ 1/16W J
R1465	NRSA63J-224X	MG R	220kΩ 1/16W J
R1466	NRSA63J-224X	MG R	220kΩ 1/16W J
R1467	NRSA63J-563X	MG R	56kΩ 1/16W J
R1468	NRSA63J-224X	MG R	220kΩ 1/16W J
R1469	NRSA63J-683X	MG R	68kΩ 1/16W J
R1470	NRSA63J-223X	MG R	22kΩ 1/16W J
R1471	NRSA63J-273X	MG R	27kΩ 1/16W J
R1472	NRSA63J-682X	MG R	6.8kΩ 1/16W J
R1473	NRSA63J-822X	MG R	8.2kΩ 1/16W J
R1474	NRSA63J-563X	MG R	56kΩ 1/16W J
R1475	NRSA63J-153X	MG R	15kΩ 1/16W J
R1476	NRSA63J-123X	MG R	12kΩ 1/16W J
R1477	NRSA63J-123X	MG R	12kΩ 1/16W J
R1478	NRSA63J-123X	MG R	12kΩ 1/16W J
R1479	NRSA63J-154X	MG R	150kΩ 1/16W J
R1480	NRSA63J-823X	MG R	82kΩ 1/16W J
R1481	NRSA63J-472X	MG R	4.7kΩ 1/16W J
R1482	NRSA63J-272X	MG R	2.7kΩ 1/16W J

△ Symbol No.	Part No.	Part Name	Description
<b>RESISTOR</b>			
R1483	NRSA63J-472X	MG R	4.7kΩ 1/16W J
R1484	NRSA63J-473X	MG R	47kΩ 1/16W J
R1485	NRSA63J-123X	MG R	12kΩ 1/16W J
R1486	NRSA63J-472X	MG R	4.7kΩ 1/16W J
R1487	NRSA63J-563X	MG R	56kΩ 1/16W J
R1489	NRSA63J-124X	MG R	120kΩ 1/16W J
R1491	NRSA63J-332X	MG R	3.3kΩ 1/16W J
R1492	NRSA63J-562X	MG R	5.6kΩ 1/16W J
R1501	NRSA63J-0ROX	MG R	0.0Ω 1/16W J
R1504	NRSA63J-102X	MG R	1kΩ 1/16W J
R1511	NRSA63J-152X	MG R	1.5kΩ 1/16W J
R1512	NRSA63J-332X	MG R	3.3kΩ 1/16W J
R1521	NRSA63J-223X	MG R	22kΩ 1/16W J
R1522	NRSA63J-562X	MG R	5.6kΩ 1/16W J
R1551	NRSA63J-100X	MG R	10Ω 1/16W J
R1552	NRSA63J-124X	MG R	120kΩ 1/16W J
R1553	NRSA63J-683X	MG R	68kΩ 1/16W J
R1554	NRSA63J-562X	MG R	5.6kΩ 1/16W J
R1555	NRSA63J-333X	MG R	33kΩ 1/16W J
R1556	NRSA63J-472X	MG R	4.7kΩ 1/16W J
R1557	NRSA63J-562X	MG R	5.6kΩ 1/16W J
R1558	NRSA63J-104X	MG R	100kΩ 1/16W J
R1559	NRSA63J-154X	MG R	150kΩ 1/16W J
R1560	NRSA63J-100X	MG R	10Ω 1/16W J
R1561	QRN143J-0ROX	C R	0.0Ω 1/4W J
R1562	NRSA63J-683X	MG R	68kΩ 1/16W J
R1563	NRSA63J-103X	MG R	10kΩ 1/16W J
R1564	NRSA63J-223X	MG R	22kΩ 1/16W J
R1565	NRSA63J-562X	MG R	5.6kΩ 1/16W J
R1574	NRSA63J-101X	MG R	100Ω 1/16W J
R1576	NRSA63J-0ROX	MG R	0.0Ω 1/16W J
R1591	NRSA63J-561X	MG R	56Ω 1/16W J
R1592	NRSA63J-332X	MG R	3.3kΩ 1/16W J
R1595	NRSA63J-222X	MG R	2.2kΩ 1/16W J
R1596	NRSA63J-104X	MG R	100kΩ 1/16W J
R1600	NRSA63J-562X	MG R	5.6kΩ 1/16W J
R1605	NRSA63J-473X	MG R	47kΩ 1/16W J
R1606	NRSA63J-273X	MG R	27kΩ 1/16W J
R1607	QRT029J-2R2	MF R	2.2Ω 2W J
R1611	NRSA63J-104X	MG R	100kΩ 1/16W J
R1612	NRSA63J-104X	MG R	100kΩ 1/16W J
R1613	NRSA63J-472X	MG R	4.7kΩ 1/16W J
R1614	NRSA63J-104X	MG R	100kΩ 1/16W J
R1615	NRSA63J-104X	MG R	100kΩ 1/16W J
R1616	NRSA63J-223X	MG R	22kΩ 1/16W J
R1617	NRSA63J-562X	MG R	5.6kΩ 1/16W J
R1621	NRSA63J-223X	MG R	22kΩ 1/16W J
R1622	NRSA63J-561X	MG R	56Ω 1/16W J
R1623	NRSA63J-223X	MG R	22kΩ 1/16W J
R1624	NRSA63J-223X	MG R	22kΩ 1/16W J
R1625	NRSA63J-223X	MG R	22kΩ 1/16W J
R1626	QRK126J-103X	C R	10kΩ 1/2W J
R1627	NRSA63J-223X	MG R	22kΩ 1/16W J
R1628	NRSA63J-561X	MG R	56Ω 1/16W J
R1629	NRSA63J-223X	MG R	22kΩ 1/16W J
R1630	NRSA63J-223X	MG R	22kΩ 1/16W J
R1631	NRSA63J-333X	MG R	33kΩ 1/16W J
R1632	NRSA63J-103X	MG R	10kΩ 1/16W J
R1633	NRSA63J-103X	MG R	10kΩ 1/16W J
R1634	NRSA63J-334X	MG R	330kΩ 1/16W J
R1635	NRSA63J-333X	MG R	33kΩ 1/16W J
R1640	NRSA63J-681X	MG R	68Ω 1/16W J
R1641	NRSA63J-681X	MG R	68Ω 1/16W J
R1647	NRSA63J-334X	MG R	330kΩ 1/16W J
R1652	QRK126J-2R2X	C R	2.2Ω 1/2W J
R1653	QRK126J-2R2X	C R	2.2Ω 1/2W J
R1660	QRT029J-2R2	MF R	2.2Ω 2W J
R1661	NRSA63J-562X	MG R	5.6kΩ 1/16W J
R1662	NRSA63J-394X	MG R	390kΩ 1/16W J
R1663	NRSA63J-394X	MG R	390kΩ 1/16W J
R1666	NRSA63J-0ROX	MG R	0.0Ω 1/16W J
R1667	NRSA63J-0ROX	MG R	0.0Ω 1/16W J
R1668	NRSA63J-0ROX	MG R	0.0Ω 1/16W J

Symbol No.	Part No.	Part Name	Description
<b>RESISTOR</b>			
R1669	NRS463J-0ROX	MG R	0.0Ω 1/16W J
R1672	NRS463J-223X	MG R	22kΩ 1/16W J
R1673	NRS463J-273X	MG R	27kΩ 1/16W J
R1675	NRS463J-103X	MG R	10kΩ 1/16W J
R1677	NRS463J-103X	MG R	10kΩ 1/16W J
R1678	NRS463J-103X	MG R	10kΩ 1/16W J
R1679	NRS463J-223X	MG R	22kΩ 1/16W J
R1680	NRS463J-273X	MG R	27kΩ 1/16W J
R1681	NRS463J-562X	MG R	5.6kΩ 1/16W J
R1701	NRS463J-103X	MG R	10kΩ 1/16W J
R1702	NRS463J-103X	MG R	10kΩ 1/16W J
R1703	NRS463J-472X	MG R	4.7kΩ 1/16W J
R1704	NRS463J-472X	MG R	4.7kΩ 1/16W J
R1705	NRS463J-103X	MG R	10kΩ 1/16W J
R1706	NRS463J-103X	MG R	10kΩ 1/16W J
R1707	NRS463J-103X	MG R	10kΩ 1/16W J
R1708	NRS463J-103X	MG R	10kΩ 1/16W J
R1711	NRS463J-101X	MG R	100Ω 1/16W J
R1712	NRS463J-101X	MG R	100Ω 1/16W J
R1714	NRS463J-102X	MG R	1kΩ 1/16W J
R1715	NRS463J-102X	MG R	1kΩ 1/16W J
R1716	NRS463J-0ROX	MG R	0.0Ω 1/16W J
R1717	NRS463J-0ROX	MG R	0.0Ω 1/16W J
R1721	NRS463J-102X	MG R	1kΩ 1/16W J
R1722	NRS463J-102X	MG R	1kΩ 1/16W J
R1723	NRS463J-102X	MG R	1kΩ 1/16W J
R1772	NRS463J-221X	MG R	220Ω 1/16W J
R1773	NRS463J-221X	MG R	220Ω 1/16W J
R1774	NRS463J-221X	MG R	220Ω 1/16W J
R1775	NRS463J-221X	MG R	220Ω 1/16W J
R1776	NRS463J-221X	MG R	220Ω 1/16W J
R1951	QRK126J-560X	C R	56Ω 1/2W J

Symbol No.	Part No.	Part Name	Description
<b>CAPACITOR</b>			
C1001	NCB31HK-222X	C CAP.	2200pF 50V K
C1002	QETN1HM-106Z	E CAP.	10μF 50V M
C1004	NCB31CK-104X	C CAP.	0.1μF 16V K
C1005	QETN1CM-108Z	E CAP.	1000μF 16V M
C1006	NCB31HK-103X	C CAP.	0.01μF 50V K
C1007	QETN1HM-106Z	E CAP.	10μF 50V M
C1008	NCB31CK-104X	C CAP.	0.1μF 16V K
C1009	NRS463J-0ROX	MG R	0.0Ω 1/16W J
C1010	QETN1HM-106Z	E CAP.	10μF 50V M
C1011	NCB31CK-104X	C CAP.	0.1μF 16V K
C1101	NCB31CK-104X	C CAP.	0.1μF 16V K
C1102	QETN1HM-106Z	E CAP.	10μF 50V M
C1103	NCB31CK-104X	C CAP.	0.1μF 16V K
C1104	QETN1CM-107Z	E CAP.	100μF 16V M
C1105	QETN1HM-106Z	E CAP.	10μF 50V M
C1106	NCB31CK-104X	C CAP.	0.1μF 16V K
C1107	NCB31CK-104X	C CAP.	0.1μF 16V K
C1111	NDC31HJ-820X	C CAP.	82pF 50V J
C1112	NDC31HJ-470X	C CAP.	47pF 50V J
C1113	NDC31HJ-470X	C CAP.	47pF 50V J
C1114	NDC31HJ-180X	C CAP.	18pF 50V J
C1115	NCB31HK-472X	C CAP.	4700pF 50V K
C1116	NCB31HK-472X	C CAP.	4700pF 50V K
C1117	NCB31HK-103X	C CAP.	0.01μF 50V K
C1118	NCB31HK-103X	C CAP.	0.01μF 50V K
C1119	NDC31HJ-2R0X	C CAP.	2.0pF 50V J
C1120	NDC31HJ-2R0X	C CAP.	2.0pF 50V J
C1121	NCB31HK-103X	C CAP.	0.01μF 50V K
C1122	NDC31HJ-102X	C CAP.	1000pF 50V J
C1123	NDC31HJ-102X	C CAP.	1000pF 50V J
C1124	QETN1HM-106Z	E CAP.	10μF 50V M
C1125	QETN1HM-106Z	E CAP.	10μF 50V M
C1126	NCB31CK-104X	C CAP.	0.1μF 16V K
C1127	QETN1HM-106Z	E CAP.	10μF 50V M
C1128	NCB31CK-104X	C CAP.	0.1μF 16V K
C1129	NCF31AZ-105X	C CAP.	1μF 10V Z
C1130	QETN1HM-106Z	E CAP.	10μF 50V M
C1151	NCF31AZ-105X	C CAP.	1μF 10V Z
C1152	NCF31AZ-105X	C CAP.	1μF 10V Z
C1153	NCF31AZ-105X	C CAP.	1μF 10V Z
C1154	NCF31AZ-105X	C CAP.	1μF 10V Z

Symbol No.	Part No.	Part Name	Description
<b>CAPACITOR</b>			
C1155	NDC31HJ-102X	C CAP.	1000pF 50V J
C1156	NDC31HJ-102X	C CAP.	1000pF 50V J
C1157	NRS463J-0ROX	MG R	0.0Ω 1/16W J
C1158	NRS463J-0ROX	MG R	0.0Ω 1/16W J
C1301	QETN1CM-107Z	E CAP.	100μF 16V M
C1302	NCB31CK-104X	C CAP.	0.1μF 16V K
C1303	NCB31CK-104X	C CAP.	0.1μF 16V K
C1305	NCB31CK-104X	C CAP.	0.1μF 16V K
C1306	NCB31CK-104X	C CAP.	0.1μF 16V K
C1307	NCB31CK-104X	C CAP.	0.1μF 16V K
C1308	NCB31CK-104X	C CAP.	0.1μF 16V K
C1309	NCB31CK-104X	C CAP.	0.1μF 16V K
C1310	QETN1AM-228Z	E CAP.	2200μF 10V M
C1311	NCB31CK-683X	CHIP CAP.	0.068μF 16V K
C1312	NDC31HJ-221X	C CAP.	2200pF 50V J
C1313	NCB31HK-223X	C CAP.	0.022μF 50V K
C1314	NCB31HK-223X	C CAP.	0.022μF 50V K
C1315	NCB31HK-223X	C CAP.	0.022μF 50V K
C1316	NCB31HK-103X	C CAP.	0.01μF 50V K
C1317	NCB31HK-103X	C CAP.	0.01μF 50V K
C1318	NCB31HK-103X	C CAP.	0.01μF 50V K
C1320	QETN1JM-228Z	E CAP.	2200μF 6.3V M
C1321	NCB31HK-223X	C CAP.	0.022μF 50V K
C1322	NCB31HK-223X	C CAP.	0.022μF 50V K
C1323	NCB31HK-223X	C CAP.	0.022μF 50V K
C1324	NDC31HJ-820X	C CAP.	82pF 50V J
C1351	QEN1EM-106Z	BP E CAP.	10μF 25V M
C1401	NCB31CK-104X	C CAP.	0.1μF 16V K
C1402	QETN1CM-107Z	E CAP.	100μF 16V M
C1403	NCB31CK-104X	C CAP.	0.1μF 16V K
C1404	NCB31CK-104X	C CAP.	0.1μF 16V K
C1453	NCB31HK-103X	C CAP.	0.01μF 50V K
C1454	NCB31EK-333X	C CAP.	0.033μF 25V K
C1455	NCB31CK-104X	C CAP.	0.1μF 16V K
C1456	NCB31CK-104X	C CAP.	0.1μF 16V K
C1457	NCB31EK-333X	C CAP.	0.033μF 25V K
C1471	NCB31CK-104X	C CAP.	0.1μF 16V K
C1472	NCB31HK-103X	C CAP.	0.01μF 50V K
C1473	NCB31CK-104X	C CAP.	0.1μF 16V K
C1474	NCB31EK-333X	C CAP.	0.033μF 25V K
C1475	NCB31HK-103X	C CAP.	0.01μF 50V K
C1491	NCB31EK-473X	C CAP.	0.047μF 25V K
C1501	NDC31HJ-150X	C CAP.	15pF 50V J
C1502	NDC31HJ-150X	C CAP.	15pF 50V J
C1551	NCF31CZ-224X	C CAP.	0.22μF 16V Z
C1552	NCF31CZ-224X	C CAP.	0.22μF 16V Z
C1553	QETN1EM-476Z	E CAP.	47μF 25V M
C1554	NCF31CZ-224X	C CAP.	0.22μF 16V Z
C1555	NCF31CZ-224X	C CAP.	0.22μF 16V Z
C1560	QETN1CM-107Z	E CAP.	100μF 16V M
C1561	NDC31HJ-561X	C CAP.	560pF 50V J
C1562	QETN1HM-105Z	E CAP.	1μF 50V M
C1564	NCB31CK-104X	C CAP.	0.1μF 16V K
C1591	NDC31HJ-561X	C CAP.	560pF 50V J
C1596	NCB31CK-104X	C CAP.	0.1μF 16V K
C1606	QETN1CM-227Z	E CAP.	220μF 16V M
C1607	QETN1CM-227Z	E CAP.	220μF 16V M
C1608	QETN1EM-228	E CAP.	2200μF 25V M
C1609	QETN1EM-228	E CAP.	2200μF 25V M
C1613	NCF31AZ-105X	C CAP.	1μF 10V Z
C1614	QETN1CM-476Z	E CAP.	47μF 16V M
C1615	NCF31AZ-105X	C CAP.	1μF 10V Z
C1619	QETN1HM-106Z	E CAP.	10μF 50V M
C1620	QETN1HM-105Z	E CAP.	1μF 50V M
C1621	QETN1CM-107Z	E CAP.	100μF 16V M
C1623	QETN1HM-106Z	E CAP.	10μF 50V M
C1624	QETN1CM-107Z	E CAP.	100μF 16V M
C1625	QETN1HM-105Z	E CAP.	1μF 50V M
C1626	QETN1CM-476Z	E CAP.	47μF 16V M
C1636	NCB31CK-104X	C CAP.	0.1μF 16V K
C1637	NCB31CK-104X	C CAP.	0.1μF 16V K
C1638	QETN1HM-105Z	E CAP.	1μF 50V M
C1639	QETN1HM-105Z	E CAP.	1μF 50V M
C1643	NCB31CK-104X	C CAP.	0.1μF 16V K
C1651	QFV71HJ-684Z	MF CAP.	0.68μF 50V J
C1652	QFV71HJ-684Z	MF CAP.	0.68μF 50V J

Symbol No.	Part No.	Part Name	Description
<b>CAPACITOR</b>			
C1653	QFV71HJ-684Z	MF CAP.	0.68 $\mu$ F 50V J
C1654	QFV71HJ-684Z	MF CAP.	0.68 $\mu$ F 50V J
C1660	NCB31CK-104X	C CAP.	0.1 $\mu$ F 16V K
C1661	NCB31CK-104X	C CAP.	0.1 $\mu$ F 16V K
C1662	NCB31CK-104X	C CAP.	0.1 $\mu$ F 16V K
C1663	NCB31CK-104X	C CAP.	0.1 $\mu$ F 16V K
C1664	NCB31HK-222X	C CAP.	2200pF 50V K
C1665	NCB31HK-222X	C CAP.	2200pF 50V K
C1666	NCF31AZ-105X	C CAP.	1 $\mu$ F 10V Z
C1667	NCF31AZ-105X	C CAP.	1 $\mu$ F 10V Z
C1671	QETNLCM-227Z	E CAP.	220 $\mu$ F 16V M
C1672	QETNLCM-226Z	E CAP.	22 $\mu$ F 50V M
C1673	NRSAG3J-0ROX	MG R	0.0 $\Omega$ 1/16W J
C1674	NRSAG3J-0ROX	MG R	0.0 $\Omega$ 1/16W J
C1678	NRSAG3J-0ROX	MG R	0.0 $\Omega$ 1/16W J
C1679	NRSAG3J-0ROX	MG R	0.0 $\Omega$ 1/16W J
C1680	NCF31AZ-105X	C CAP.	1 $\mu$ F 10V Z
C1681	NCB31HK-332X	C CAP.	3300pF 50V K
C1682	NCB31EK-333X	C CAP.	0.033 $\mu$ F 25V K
C1683	QETNLEM-476Z	E CAP.	47 $\mu$ F 25V M
C1684	NCB31HK-332X	C CAP.	3300pF 50V K
C1685	NCB31EK-333X	C CAP.	0.033 $\mu$ F 25V K
C1686	NCF31AZ-105X	C CAP.	1 $\mu$ F 10V Z
C1687	QETNLCM-106Z	E CAP.	10 $\mu$ F 50V M
C1688	QETNLEM-476Z	E CAP.	47 $\mu$ F 25V M
C1689	NCB31CK-104X	C CAP.	0.1 $\mu$ F 16V K
C1690	NCB31CK-104X	C CAP.	0.1 $\mu$ F 16V K
C1698	NRSAG3J-0ROX	MG R	0.0 $\Omega$ 1/16W J
C1699	NCB31HK-103X	C CAP.	0.01 $\mu$ F 50V K
C1701	QETNLAM-477Z	E CAP.	470 $\mu$ F 10V M
C1702	NCB31CK-563X	C CAP.	0.056 $\mu$ F 16V K
C1951	QETNLCM-477Z	E CAP.	470 $\mu$ F 16V M
C1952	NCB31CK-104X	C CAP.	0.1 $\mu$ F 16V K
C1953	NCB31CK-104X	C CAP.	0.1 $\mu$ F 16V K
C1954	QETNLAM-477Z	E CAP.	470 $\mu$ F 10V M
C1955	QETNLAM-227Z	E CAP.	220 $\mu$ F 10V M
C1956	QETNLAM-107Z	E CAP.	100 $\mu$ F 10V M

Symbol No.	Part No.	Part Name	Description
<b>COIL</b>			
L1001	QQL244K-270Z	PEAKING COIL	
L1002	QQL244K-100Z	COIL	10 $\mu$ H K
L1003	QQL244K-100Z	COIL	10 $\mu$ H K
L1004	NQL092K-100X	INDUCTOR	
L1101	QRN143J-0ROX	C R	0.0 $\Omega$ 1/4W J
L1102	QQL244K-4R7Z	COIL	4.7 $\mu$ H K
L1111	QQL244K-220Z	PEAKING COIL	
L1112	QQL244K-180Z	COIL	18 $\mu$ H K
L1301	NQL092K-1R5X	INDUCTOR	
L1302	NQL092K-1R5X	INDUCTOR	
L1951	QQL26AM-5R6Z	CHOKE COIL	

Symbol No.	Part No.	Part Name	Description
<b>DIODE</b>			
D1311	MA3051/M/-X	ZENER DIODE	
D1312	MA3051/M/-X	ZENER DIODE	
D1313	MA3051/M/-X	ZENER DIODE	
D1314	MA111-X	SI DIODE	
D1315	MA111-X	SI DIODE	
D1316	MA111-X	SI DIODE	
D1317	MA111-X	SI DIODE	
D1318	MA111-X	SI DIODE	
D1471	MA111-X	SI DIODE	
D1472	MA111-X	SI DIODE	
D1473	MA111-X	SI DIODE	
D1474	MA111-X	SI DIODE	
D1475	MA3240/M/-X	ZENER DIODE	
D1521	MA111-X	SI DIODE	
D1591	MA111-X	SI DIODE	
D1592	MA3051/M/-X	ZENER DIODE	
D1593	MA111-X	SI DIODE	
D1602	MA111-X	SI DIODE	
D1603	MA111-X	SI DIODE	
D1608	MA111-X	SI DIODE	
D1611	MA111-X	SI DIODE	
D1615	MA111-X	SI DIODE	

Symbol No.	Part No.	Part Name	Description
<b>DIODE</b>			
D1618	MA3051/M/-X	ZENER DIODE	
D1622	MA3270/H/-X	ZENER DIODE	
D1623	MA3270/H/-X	ZENER DIODE	
D1624	MA3270/H/-X	ZENER DIODE	
D1625	MA3270/H/-X	ZENER DIODE	
D1626	MA3150/M/-X	ZENER DIODE	
D1627	MA3150/M/-X	ZENER DIODE	
D1630	MA111-X	SI DIODE	
D1771	MA3056/M/-X	ZENER DIODE	
D1772	MA3056/M/-X	ZENER DIODE	
D1773	MA3056/M/-X	ZENER DIODE	
D1774	MA3056/M/-X	ZENER DIODE	
D1951	1SR35-400A-T5	SI DIODE	
D1981	MA111-X	SI DIODE	
D1982	MA111-X	SI DIODE	

Symbol No.	Part No.	Part Name	Description
<b>TRANSISTOR</b>			
Q1101	2SC2412K/QR/-X	SI TRANSISTOR	
Q1102	2SC2412K/QR/-X	SI TRANSISTOR	
Q1301	2SA1037AK/QR/-X	SI TRANSISTOR	
Q1471	2SC2412K/QR/-X	SI TRANSISTOR	
Q1472	2SC2412K/QR/-X	SI TRANSISTOR	
Q1561	2SC2412K/QR/-X	SI TRANSISTOR	
Q1562	2SA1037AK/QR/-X	SI TRANSISTOR	
Q1591	2SA1037AK/QR/-X	SI TRANSISTOR	
Q1592	2SC2412K/QR/-X	SI TRANSISTOR	
Q1601	2SA1037AK/QR/-X	SI TRANSISTOR	
Q1608	2SA1037AK/QR/-X	SI TRANSISTOR	
Q1609	DTC124EKA-X	DIGI TRANSISTOR	
Q1610	2SA1037AK/QR/-X	SI TRANSISTOR	
Q1613	DTC323TK-X	DIGI TRANSISTOR	
Q1614	DTC323TK-X	DIGI TRANSISTOR	

Symbol No.	Part No.	Part Name	Description
<b>IC</b>			
IC1101	MSP3415DQGB3GHX	I.C.	
IC1301	SDA9380	I.C.	
IC1402	BA10824AF-XE	I.C.	
IC1471	UPC358G2-XE	I.C.	
IC1551	LA6515	I.C.	
IC1602	TDA2052V	I.C.	
IC1603	TDA2052V	I.C.	
IC1604	BA4558F-X	I.C.	
IC1661	BD3869F-X	I.C.	
IC1663	NJM2150AM-X	I.C.	
IC1701	JLC1562BF-X	I.C.	
IC1951	BA09T	I.C.	
IC1952	BA08T	I.C.	

Symbol No.	Part No.	Part Name	Description
<b>OTHERS</b>			
CN1001	QGB1505J1-50	CONNECTOR	
CN1002	QGF1220C2-25	CONNECTOR	
CN1003	QGB1505J1-50	CONNECTOR	
CN1004	QGB1506L1-16	CONNECTOR	
CN1005	QGB1506L1-16	CONNECTOR	
CN1006	QGB1506L1-16	CONNECTOR	
CN1007	QGB1505J1-50	CONNECTOR	
CN1013	QGA2501C1-10	CONNECTOR	
CN1015	QGB2501J1-10	CONNECTOR	
CN1111	QGA2501C5-08Z	CONNECTOR	
K1001	NQR089-003X	FERRITE BEADS	
K1101	NQR089-003X	FERRITE BEADS	
K1102	NQR089-003X	FERRITE BEADS	
K1301	NQR0413-003X	BEADS CORE	
LC1102	NQR0431-001X	EMI FILTER	
LC1301	NQR0431-001X	EMI FILTER	
LC1302	NQR0431-001X	EMI FILTER	
LC1303	NQR0431-001X	EMI FILTER	
TU1001	QAU0245-001	TUNER	
X1101	CE42546-001Z	CRYSTAL	
X1501	QAX0549-001Z	CRYSTAL	
Y1677	NRSAG3J-101X	MG R	100 $\Omega$ 1/16W J
Y1678	NRSAG3J-101X	MG R	100 $\Omega$ 1/16W J
Y1682	NRSAG3J-105X	MG R	1M $\Omega$ 1/16W J
Y1683	NRSAG3J-105X	MG R	1M $\Omega$ 1/16W J
MD1001	-----	BLK PB ASSY	(SMF0W502A-H2) As FOLLOWS



**■ BLK P.W. BOARD ASS'Y (SMF0V502A-H2)**

This P.W. Board Ass'y is included in the above main P.W. Board Ass'y.

Symbol No.	Part No.	Part Name	Description
<b>RESISTOR</b>			
R0001	NRS463J-104X	MG R	100kΩ 1/16W J
R0002	NRS463J-104X	MG R	100kΩ 1/16W J
R0003	NRS463J-392X	MG R	3.9kΩ 1/16W J
R0004	NRS463J-332X	MG R	3.3kΩ 1/16W J
R0005	NRS463J-103X	MG R	10kΩ 1/16W J
R0006	NRS463J-103X	MG R	10kΩ 1/16W J
R0007	NRS463J-102X	MG R	1kΩ 1/16W J
R0008	NRS463J-102X	MG R	1kΩ 1/16W J
R0009	NRS463J-102X	MG R	1kΩ 1/16W J
<b>CAPACITOR</b>			
C0001	QETN1CM-107Z	E CAP.	100μF 16V M
C0002	NCB31HK-103X	C CAP.	0.01μF 50V K
C0003	NCB31CK-104X	C CAP.	0.1μF 16V K
<b>DIODE</b>			
D0001	NRS463J-OR0X	MG R	0.0Ω 1/16W J
<b>TRANSISTOR</b>			
Q0001	2SA1037AK/QR/-X	SI TRANSISTOR	
Q0002	2SC2412K/QR/-X	CHIP TRANSISTOR	
Q0003	2SC2412K/QR/-X	CHIP TRANSISTOR	
Q0004	2SC2412K/QR/-X	CHIP TRANSISTOR	
<b>IC</b>			
IC0001	UPC358G2-XE	I.C.	
<b>OTHERS</b>			
CN0016	CH41163-005RS	CONNECT	

**■ POWER & DEF P.W. BOARD ASS'Y (SMF-2801A-H2)**

Symbol No.	Part No.	Part Name	Description
<b>RESISTOR</b>			
R2401	QRE141J-562Y	C R	5.6kΩ 1/4W J
R2402	QRE141J-562Y	C R	5.6kΩ 1/4W J
R2403	QRE141J-222Y	C R	2.2kΩ 1/4W J
R2404	QRT01EJ-1R0X	MF R	1.0Ω 1W J
R2405	QRL02EJ-561X	OM R	560Ω 2W J
R2406	QRE141J-222Y	C R	2.2kΩ 1/4W J
R2407	QRX01GJ-1R5	MF R	1.5Ω 1W J
R2408	QRX01GJ-1R8	MF R	1.8Ω 1W J
R2409	QRE141J-823Y	C R	82kΩ 1/4W J
R2410	QRE141J-103Y	C R	10kΩ 1/4W J
R2421	QRE141J-103Y	C R	10kΩ 1/4W J
R2422	QRE141J-684Y	C R	680kΩ 1/4W J
R2461	QRG029J-820	OM R	82Ω 2W J
R2463	QRE141J-562Y	C R	5.6kΩ 1/4W J
R2464	QRT01EJ-3R3X	MF R	3.3Ω 1W J
R2468	QRE141J-102Y	C R	1kΩ 1/4W J
R2469	QRE141J-272Y	C R	2.7kΩ 1/4W J
R2471	QRE141J-391Y	C R	390Ω 1/4W J
R2472	QRA14CF-1002Y	MF R	10kΩ 1/4W F
R2473	QRE141J-473Y	C R	47kΩ 1/4W J
R2474	QRE141J-103Y	C R	10kΩ 1/4W J
R2475	QRE141J-102Y	C R	1kΩ 1/4W J
R2476	QRE141J-102Y	C R	1kΩ 1/4W J
R2477	QRE141J-563Y	C R	56kΩ 1/4W J
R2478	QRE141J-333Y	C R	33kΩ 1/4W J
R2501	QRE141J-471Y	C R	470Ω 1/4W J
R2502	QRE141J-123Y	C R	12kΩ 1/4W J
R2503	QRE121J-152Y	C R	1.5kΩ 1/2W J
R2504	QRL03EJ-332X	OM R	3.3kΩ 3W J
R2505	QRL03EJ-332X	OM R	3.3kΩ 3W J
R2506	QRE121J-5R6Y	C R	5.6Ω 1/2W J
R2521	QRE121J-471Y	C R	470Ω 1/2W J
R2522	QRE141J-223Y	C R	22kΩ 1/4W J
R2523	QRE141J-103Y	C R	10kΩ 1/4W J
R2524	QRC121K-152Z	MF R	1.5kΩ 1/2W K
R2541	QRE141J-182Y	C R	1.8kΩ 1/4W J
R2542	QRE141J-222Y	C R	2.2kΩ 1/4W J
R2543	QRE121J-272Y	C R	2.7kΩ 1/2W J
▲ R2551	QRZ9022-R47	F R	0.47Ω 1W K
▲ R2552	QRZ9022-R47	F R	0.47Ω 1W K
▲ R2555	QRZ9022-R68	F R	0.68Ω 1W K
R2561	QRL01EJ-220X	OM R	22Ω 1W J
R2562	QRE121J-123Y	C R	12kΩ 1/2W J
R2563	QRZ0056-103Z	COMP R	10kΩ 1/2W K
R2564	QRE121J-184Y	C R	180kΩ 1/2W J
R2565	QRE121J-184Y	C R	180kΩ 1/2W J
R2566	QRE121J-184Y	C R	180kΩ 1/2W J
R2567	QRE121J-184Y	C R	180kΩ 1/2W J
R2568	QRE121J-184Y	C R	180kΩ 1/2W J
R2569	QRE141J-183Y	C R	18kΩ 1/4W J
R2570	QRE141J-103Y	C R	10kΩ 1/4W J
R2571	QRE141J-822Y	C R	8.2kΩ 1/4W J
R2572	QRE141J-183Y	C R	18kΩ 1/4W J
R2573	QRE141J-183Y	C R	18kΩ 1/4W J
R2574	QRE141J-392Y	C R	3.9kΩ 1/4W J
R2575	QRE141J-152Y	C R	1.5kΩ 1/4W J
R2581	QRF154K-4R7	UNF R	4.7Ω 15W K
R2582	QRE141J-681Y	C R	680Ω 1/4W J
R2583	QRE121J-682Y	C R	6.8kΩ 1/2W J
R2584	QRE141J-183Y	C R	18kΩ 1/4W J
R2585	QRE141J-222Y	C R	2.2kΩ 1/4W J
R2901	QRZ0123-121	UNF R	120Ω 7W J
R2902	QRF054K-3R3	UNF R	3.3Ω 5W K
R2903	QRF154K-1R8	UNF R	1.8Ω 15W K
R2904	QRL039J-683	OM R	68kΩ 3W J
R2905	QRE121J-394Y	C R	390kΩ 1/2W J
R2906	QRE121J-394Y	C R	390kΩ 1/2W J
R2907	QRE141J-273Y	C R	27kΩ 1/4W J
R2908	QRL039J-823	OM R	82kΩ 3W J
R2909	QRL039J-823	OM R	82kΩ 3W J
▲ R2910	QRZ9017-4R7	F R	4.7Ω 1/4W J
R2911	QRE121J-122Y	C R	1.2kΩ 1/2W J
R2912	QRE141J-152Y	C R	1.5kΩ 1/4W J
R2913	QRT02EJ-R27X	MF R	0.27Ω 2W J

Symbol No.	Part No.	Part Name	Description
<b>RESISTOR</b>			
R2914	QRM059J-R10	MP R	0.10Ω 5W J
R2915	QRE121J-681Y	C R	680Ω 1/2W J
R2916	QRE121J-332Y	C R	3.3kΩ 1/2W J
Δ R2932	QRZ9017-470	F R	47 Ω 1/4W J
R2933	QRE121J-272Y	C R	2.7kΩ 1/2W J
R2934	QRE121J-564Y	C R	560kΩ 1/2W J
R2935	QRE141J-472Y	C R	4.7kΩ 1/4W J
R2936	QRX01GJ-3R9	MF R	3.9Ω 1W J
R2937	QRE121J-681Y	C R	680Ω 1/2W J
R2941	QRE121J-331Y	C R	330Ω 1/2W J
R2942	QRE121J-471Y	C R	470Ω 1/2W J
R2944	QRE141J-103Y	C R	10kΩ 1/4W J
R2945	QRE141J-563Y	C R	56kΩ 1/4W J
R2946	QRE141J-332Y	C R	3.3kΩ 1/4W J
R2949	QRE141J-101Y	C R	100Ω 1/4W J
R2950	QRE141J-103Y	C R	10kΩ 1/4W J
R2951	QRE121J-102Y	C R	1kΩ 1/2W J
R2952	QRL03EJ-223X	OM R	22kΩ 3W J
R2953	QRE141J-474Y	C R	470kΩ 1/4W J
R2954	QRE141J-103Y	C R	10kΩ 1/4W J
R2960	QRE141J-103Y	C R	10kΩ 1/4W J
R2981	QRE141J-153Y	C R	15kΩ 1/4W J
R2982	QRE141J-102Y	C R	1kΩ 1/4W J
Δ R2991	QRZ0057-825	C R	8.2MΩ 1W J
R2943	QRE141J-103Y	C R	10kΩ 1/4W J

Symbol No.	Part No.	Part Name	Description
<b>CAPACITOR</b>			
C2408	QFLC2AJ-104Z	M CAP.	0.1μF 100V J
C2404	QCZ0120-104Z	C CAP.	0.1μF 25V Z
C2405	QDC31HJ-820Z	C CAP.	820pF 50V J
C2406	QETNLVHM-108	E CAP.	1000μF 35V M
C2408	QETNLVHM-107Z	E CAP.	100μF 35V M
C2409	QFV71HJ-474Z	MF CAP.	0.47μF 50V J
C2410	QFV71HJ-474Z	MF CAP.	0.47μF 50V J
C2411	QFLC2AJ-104Z	M CAP.	0.1μF 100V J
C2414	QCB31HK-682Z	C CAP.	6800pF 50V K
C2415	QETNLVHM-107Z	E CAP.	100μF 35V M
C2421	QETNLHM-105Z	E CAP.	1μF 50V M
C2461	QEZ0414-226	E CAP.	22μF 50V M
C2462	QFN32DJ-152Z	M CAP.	1500pF 200V J
C2463	QFN72DJ-122Z	M CAP.	1200pF 200V J
C2464	QCZ0120-104Z	C CAP.	0.1μF 25V Z
C2465	QETNLHM-106Z	E CAP.	10μF 50V M
C2466	QFP31HJ-272Z	PP CAP.	2700pF 50V J
C2467	QFLCIHJ-102Z	M CAP.	1000pF 50V J
C2468	QETNLEM-476Z	E CAP.	47μF 25V M
C2470	QCS31HJ-470Z	C CAP.	47pF 50V J
C2471	QFLCIHJ-103Z	M CAP.	0.01μF 50V J
C2501	QCB32HK-331Z	C CAP.	330pF 500V K
C2502	QFN32DK-103	M CAP.	0.01μF 200V K
C2508	QFV71HJ-224Z	MF CAP.	0.22μF 50V J
Δ C2520	QFZ0200-112	MPP CAP.	1100pF 1.5kVH±3%
Δ C2521	QFZ0200-112	MPP CAP.	1100pF 1.5kVH±3%
Δ C2522	QFZ0200-113	MPP CAP.	0.011μF 1.5kVH±3%
Δ C2523	QFN32DK-183	M CAP.	0.018μF 200V K
Δ C2524	QFP32JJ-223	PP CAP.	0.022μF 630V J
Δ C2526	QFZ0197-683	MPP CAP.	0.088μF 250V J
Δ C2527	QFZ0197-154	MPP CAP.	0.15μF 250V J
Δ C2528	QFZ0197-683	MPP CAP.	0.088μF 250V J
Δ C2529	QFZ0197-154	MPP CAP.	0.15μF 250V J
C2530	QCB32HK-561Z	C CAP.	560pF 500V K
Δ C2531	QFZ0197-534	MPP CAP.	0.53μF 250V J
C2532	QETM2CM-227	E CAP.	220μF 160V M
C2541	QENCIHM-105Z	E CAP.	1μF 50V M
C2551	QCB32HK-152Z	C CAP.	1500pF 500V K
C2552	QETNLCM-108Z	E CAP.	1000pF 16V M
C2553	QCB32HK-152Z	C CAP.	1500pF 500V K
C2554	QETNLCM-108Z	E CAP.	1000pF 16V M
C2555	QCB32HK-102Z	C CAP.	1000pF 500V K
C2556	QETM2EM-106	E CAP.	10μF 250V M
C2558	QETNLCM-477Z	E CAP.	470μF 16V M
C2559	QEHRLCM-227Z	E CAP.	220μF 16V M

Symbol No.	Part No.	Part Name	Description
<b>CAPACITOR</b>			
C2561	QFLC2AJ-153Z	M CAP.	0.015μF 100V J
Δ C2563	QFZ0122-682	MPP CAP.	6800pF 1.8kVH±3%
C2564	QCZ0122-471	C CAP.	470pF 2kV K
C2565	QCZ0122-471	C CAP.	470pF 2kV K
Δ C2566	QFZ0200-512	MPP CAP.	5100pF 1.5kVH±3%
C2567	QFLCIHJ-563Z	M CAP.	0.056μF 50V J
C2568	QETNLVM-476Z	E CAP.	47μF 35V M
C2581	QETNLCM-107Z	E CAP.	100μF 16V M
C2582	QETNLEM-476Z	E CAP.	47μF 25V M
Δ C2902	QFZ9075-104	MPP CAP.	0.1μF FAC275V M
Δ C2903	QFZ9075-473	MPP CAP.	0.047μF FAC275V M
Δ C2904	QCZ9054-472	C CAP.	4700pF FAC250V Z
Δ C2905	QCZ9054-472	C CAP.	4700pF FAC250V Z
Δ C2906	QCZ9054-472	C CAP.	4700pF FAC250V Z
Δ C2907	QEZ0871-397	E CAP.	390μF 400V M
C2908	QCB32HK-103	C CAP.	0.01μF 500V K
C2909	QCZ0840-391	C CAP.	390pF 2kV K
C2910	QETNLHM-476Z	E CAP.	47μF 50V M
C2911	QCB31HK-272Z	C CAP.	2700pF 50V K
C2912	QCZ0840-561	C CAP.	560pF 2kV K
C2914	QCB31HK-471Z	C CAP.	470pF 50V K
C2915	QFLCIHJ-332Z	M CAP.	330pF 50V J
C2916	QCB32HK-152Z	C CAP.	1500pF 500V K
C2931	QCZ9054-472	C CAP.	4700pF FAC250V Z
C2932	QCZ9054-472	C CAP.	4700pF FAC250V Z
C2933	QCZ9054-472	C CAP.	4700pF FAC250V Z
C2934	QETM2GM-226	E CAP.	22μF 400V M
C2936	QCZ0840-151	C CAP.	150pF 2kV K
C2937	QETNLHM-475Z	E CAP.	4.7μF 50V M
C2938	QCB31HK-222Z	C CAP.	2200pF 50V K
C2939	QFLCIHJ-103Z	M CAP.	0.01μF 50V J
C2940	QCB31HK-471Z	C CAP.	470pF 50V K
C2941	QETNLAM-108Z	E CAP.	1000μF 10V M
C2942	QFLCIHJ-102Z	M CAP.	1000pF 50V J
C2951	QEZ0203-227	E CAP.	220μF 160V M
C2952	QTMLEM-228	E CAP.	2200μF 25V M
C2955	QETMLEM-338	E CAP.	3300μF 25V M
C2956	QETMLEM-338	E CAP.	3300μF 25V M
C2959	QFV71HJ-684Z	MF CAP.	0.68μF 50V J
C2960	QCZ0131-821	C CAP.	820pF 2kV K
C2972	QETNLCM-108Z	E CAP.	1000μF 16V M
C2974	QEZ0256-128	E CAP.	1200μF 10V M
C2975	QEZ0256-128	E CAP.	1200μF 10V M
C2976	QETNLCM-108Z	E CAP.	1000μF 16V M
C2977	QETNLHM-105Z	E CAP.	1μF 50V M
C2978	QEZ0256-128	E CAP.	1200μF 10V M
C2979	QEZ0256-128	E CAP.	1200μF 10V M
Δ C2991	QCZ9079-471	C CAP.	470pF FAC250V K
Δ C2992	QCZ9079-471	C CAP.	470pF FAC250V K
Δ C2998	QCZ9079-471	C CAP.	470pF FAC250V K
Δ C2995	QCZ9079-102	C CAP.	1000pF FAC250V M

Symbol No.	Part No.	Part Name	Description
<b>TRANSF</b>			
T2501	QQR0882-001	DRIVE TRANSF.	
Δ T2551	QHQ099-001	FB TRANSF.	
T2561	QQR1096-001	DEF TRANSF.	
Δ T2901	QQS0113-001	SWITCH TRANSF.	
Δ T2931	QQS0101-001	SWITCH TRANSF.	

Symbol No.	Part No.	Part Name	Description
<b>COIL</b>			
L2461	QQR1195-001	CHOKE COIL	
L2462	QQL2028-272	CHOKE COIL	
L2521	QQL2031-180	CHOKE COIL	
L2522	QQR1196-002	LINEARITY	
L2552	QQL26AK-220Z	COIL	22μH K
L2561	QQL2028-272	CHOKE COIL	
L2901	QQL401K-100Z	CHOKE COIL	
L2902	QQL401K-100Z	CHOKE COIL	
L2951	QQL2026-460	HEATER CHOKE	
L2954	QQR1129-001	CHOKE COIL	
L2955	QQR1129-001	CHOKE COIL	
L2957	QQL2026-460	HEATER CHOKE	
L2958	QQL2026-460	HEATER CHOKE	

Symbol No.	Part No.	Part Name	Description
<b>COIL</b>			
L2959	QQL26AK-220Z	COIL	22uH K
L2960	QQL26AK-220Z	COIL	22uH K
<b>DIODE</b>			
D2402	1SR35-400A-T2	SI. DIODE	
D2403	1SR35-400A-T2	SI. DIODE	
D2421	1SS133-T2	SI. DIODE	
D2461	EU2-T3	SI. DIODE	
D2462	1SS133-T2	SI. DIODE	
D2463	1SS133-T2	SI. DIODE	
D2501	1SS81-T5	SI. DIODE	
D2521	V11CA-C1	SI. DIODE	
D2522	FMV-3FU-F1	SI. DIODE	
D2523	MTZJ22B-T2	ZENER DIODE	
D2541	EU2-T3	SI. DIODE	
D2542	MTZJ. 9B-T2	ZENER DIODE	
D2551	EU2-T3	SI. DIODE	
D2552	EU2-T3	SI. DIODE	
D2553	RH1S-T3	SI. DIODE	
D2554	RH1S-T3	SI. DIODE	
D2561	ES1F-LFG2	SI. DIODE	
D2562	ES1F-LFG2	SI. DIODE	
D2582	MTZJ7. 5B-T2	ZENER DIODE	
D2901	D35B60	BRIDGE DIODE	
D2902	RG1C-LFA1	SI. DIODE	
D2903	MTZJ6. 8C-T2	ZENER DIODE	
D2904	AU01Z-T2	SI. DIODE	
D2905	AU01Z-T2	SI. DIODE	
D2906	MTZJ27B-T2	ZENER DIODE	
D2907	1SS133-T2	SI. DIODE	
D2908	1SS133-T2	SI. DIODE	
D2910	MTZJ15B-T2	ZENER DIODE	
D2911	1SS133-T2	SI. DIODE	
D2912	MTZJ27B-T2	ZENER DIODE	
D2931	SIWB/A/60-4101	BRIDGE DIODE	
D2933	AU01Z-T2	SI. DIODE	
D2934	AU01Z-T2	SI. DIODE	
D2935	1SS133-T2	SI. DIODE	
D2941	RGP10J-5025-T3	SI. DIODE	
D2943	MTZJ7. 5B-T2	ZENER DIODE	
D2944	NJM431L-T	IC	
D2945	1SS133-T2	SI. DIODE	
D2951	RU4B-F1	SI. DIODE	
D2952	FMX-G12S	SI. DIODE	
D2953	RU4B-F1	SI. DIODE	
D2955	FMX-G12S	SI. DIODE	
D2956	FMX-G12S	SI. DIODE	
D2958	MTZJ33B-T2	ZENER DIODE	
D2959	RK34-LFC4	SI. DIODE	
D2960	RK34-LFC4	SI. DIODE	
D2961	1SR35-400A-T2	SI. DIODE	
D2981	1SS133-T2	SI. DIODE	
D2984	1SS133-T2	SI. DIODE	
D2985	1SS133-T2	SI. DIODE	
<b>TRANSISTOR</b>			
Q2421	DTC124ESA-T	DIGI. TRANSISTOR	
Q2422	2SC1740S/QR/-T	SI. TRANSISTOR	
Q2461	2SK2459N-F54	F. E. T.	
Q2462	2SC1740S/QR/-T	SI. TRANSISTOR	
Q2463	2SC1740S/QR/-T	SI. TRANSISTOR	
Q2464	2SA933AS/QR/-T	SI. TRANSISTOR	
Q2501	BSN304-T	F. E. T.	
Q2521	2SC3905-RL	SI. TRANSISTOR	H. OUT
Q2561	2SC1740S/QR/-T	SI. TRANSISTOR	
Q2562	2SC1740S/QR/-T	SI. TRANSISTOR	
Q2563	2SC4686A	SI. TRANSISTOR	
Q2581	2SA1208/ST/Z1-T	SI. TRANSISTOR	
Q2582	DTC144ESA-T	DIGI. TRANSISTOR	
Q2941	2SC1740S/QR/-T	SI. TRANSISTOR	
Q2942	2SC1740S/QR/-T	SI. TRANSISTOR	

Symbol No.	Part No.	Part Name	Description
<b>IC</b>			
IC2401	LA7876NZ	I. C.	
IC2461	BA10893	I. C.	
IC2551	BA1ZT	I. C.	
IC2901	STR-F6658B/F7	I. C.	
IC2981	STR-L472/F7	I. C.	
IC2951	SE140N	I. C.	
IC2954	SI-8050S	I. C.	
IC2955	SI-8033S/F1	I. C.	
<b>OTHERS</b>			
CN2004	QGB1506M1-16	CONNECTOR	
CN2005	QGB1506M1-16	CONNECTOR	
CN2006	QGB1506M1-16	CONNECTOR	
CN2014	QGA2501C5-06Z	EH. POST HEADER	
CP2981	QMFZ043-2R0Z-J1	FUSE	2.0A
CP2941	ICP-N25-Y	I. C. PROTECT	
CP2955	QMFZ034-4R0Z-J1	FUSE	4.0A
CP2956	QMFZ034-4R0Z-J1	FUSE	4.0A
K2401	QQR0621-002Z	BEADS CORE	
K2522	CE41832-001	LEAD CORE	
K2523	CE41832-001	LEAD CORE	
K2524	CE41832-001	LEAD CORE	
K2901	QQR0679-001	FERRITE BEADS	
K2952	QQR0621-002Z	BEADS CORE	
K2953	QQR0621-002Z	BEADS CORE	
K2954	QQR0621-002Z	BEADS CORE	
LF2901	QQR1253-001	LINE FILTER	
PC2901	PC123F2	I. C. (PH. COUPLER)	
PC2981	PC123F2	I. C. (PH. COUPLER)	
RY2981	QSK0090-001	RELAY	
TH2901	QAD0132-4R5	W-PTC	

**■ CRT SOCKET P.W. BOARD ASS'Y  
(SMF-3803A-H2)**

△ Symbol No. Part No. Part Name Description

**VARIABLE RESISTOR**

R3251 QVP0038-206 V R 20MΩ

**RESISTOR**

R3101	NRS463J-123X	MG R	12kΩ	1/16W	J
R3102	NRS463J-681X	MG R	680Ω	1/16W	J
R3103	NRS463J-101X	MG R	100Ω	1/16W	J
R3104	NRS463J-472X	MG R	4.7kΩ	1/16W	J
R3105	NRS463J-102X	MG R	1kΩ	1/16W	J
R3106	NRS463J-221X	MG R	220Ω	1/16W	J
R3107	NRS463J-561X	MG R	560Ω	1/16W	J
R3108	QRE121J-100Y	MF R	10Ω	1/2W	J
R3109	NRS463J-153X	MG R	15kΩ	1/16W	J
R3110	NRS463J-222X	MG R	2.2kΩ	1/16W	J
R3111	NRS463J-182X	MG R	1.8kΩ	1/16W	J
R3112	NRS463J-272X	MG R	2.7kΩ	1/16W	J
R3113	NRS463J-561X	MG R	560Ω	1/16W	J
R3114	NRS463J-152X	MG R	1.5kΩ	1/16W	J
R3115	NRS463J-820X	MG R	82Ω	1/16W	J
R3117	NRS463J-221X	MG R	220Ω	1/16W	J
R3122	NRS463J-122X	MG R	1.2kΩ	1/16W	J
R3123	QRE121J-563Y	C R	56kΩ	1/2W	J
R3124	NRS463J-470X	MG R	47Ω	1/16W	J
R3125	QRE121J-563Y	C R	56kΩ	1/2W	J
R3126	NRS463J-470X	MG R	47Ω	1/16W	J
R3127	NRS463J-122X	MG R	1.2kΩ	1/16W	J
R3128	NRS463J-390X	MG R	39Ω	1/16W	J
R3129	QRE121J-2R7Y	C R	2.7Ω	1/2W	J
R3130	QRE121J-2R7Y	C R	2.7Ω	1/2W	J
R3131	NRS463J-390X	MG R	39Ω	1/16W	J
R3132	NRS463J-121X	MG R	120Ω	1/16W	J
R3133	QRL029J-681	OM R	680Ω	2W	J
R3134	QRZ902J-561	F R	560Ω	1W	J
R3204	NRS463J-272X	MG R	2.7kΩ	1/16W	J
R3205	NRS463J-272X	MG R	2.7kΩ	1/16W	J
R3206	NRS463J-272X	MG R	2.7kΩ	1/16W	J
R3211	NRS463J-154X	MG R	150kΩ	1/16W	J
R3223	NRS463J-272X	MG R	2.7kΩ	1/16W	J
R3224	NRS463J-272X	MG R	2.7kΩ	1/16W	J
R3225	NRS463J-272X	MG R	2.7kΩ	1/16W	J
R3227	NRS463J-103X	MG R	10kΩ	1/16W	J
R3228	NRS463J-272X	MG R	2.7kΩ	1/16W	J
R3229	QRL029J-104-M	OM R	100kΩ	2W	J
R3230	QRL029J-104-M	OM R	100kΩ	2W	J
R3231	QRL029J-104-M	OM R	100kΩ	2W	J
R3232	NRS463J-332X	MG R	3.3kΩ	1/16W	J
R3233	NRS463J-332X	MG R	3.3kΩ	1/16W	J
R3234	NRS463J-332X	MG R	3.3kΩ	1/16W	J
R3235	QRC121K-152Z	MF R	1.5kΩ	1/2W	K
R3236	QRC121K-152Z	MF R	1.5kΩ	1/2W	K
R3237	QRC121K-152Z	MF R	1.5kΩ	1/2W	K
R3239	QRZ0107-474Z	C R	470kΩ	1/2W	K
R3241	QRZ0107-105Z	C R	1.0MΩ	1/2W	K
R3242	NRS463J-103X	MG R	10kΩ	1/16W	J
R3244	NRS463J-102X	MG R	1kΩ	1/16W	J
R3245	NRS463J-562X	MG R	5.6kΩ	1/16W	J
R3246	NRS463J-562X	MG R	5.6kΩ	1/16W	J
R3247	NRS463J-562X	MG R	5.6kΩ	1/16W	J
R3301	QRE121J-474Y	C R	470kΩ	1/2W	J
R3302	QRE121J-474Y	C R	470kΩ	1/2W	J
R3303	NRS463J-223X	MG R	22kΩ	1/16W	J
R3304	NRS463J-223X	MG R	22kΩ	1/16W	J
R3305	NRS463J-562X	MG R	5.6kΩ	1/16W	J
R3306	NRS463J-392X	MG R	3.9kΩ	1/16W	J
R3310	NRS463J-0R0X	MG R	0.0Ω	1/16W	J

**CAPACITOR**

C3102	NDC31HJ-6R0X	C CAP.	6.0pF	50V	J
C3103	NDC31HJ-151X	C CAP.	150pF	50V	J
C3104	QCB32HK-103Z	C CAP.	0.01μF	50V	K

△ Symbol No. Part No. Part Name Description

**CAPACITOR**

C3106	QETNLM-335Z	E CAP.	3.3μF	50V	M
C3107	QETNLM-107Z	E CAP.	100μF	16V	M
C3110	QETN2CM-106Z	E CAP.	10μF	160V	M
C3111	QCB32HK-472Z	C CAP.	4700pF	500V	K
C3113	QETN2CM-106Z	E CAP.	10μF	160V	M
C3114	QCB32HK-472Z	C CAP.	4700pF	500V	K
C3116	QETNLM-107Z	E CAP.	100μF	10V	M
C3117	QETNLM-107Z	E CAP.	100μF	10V	M
C3118	QETNLM-337Z	E CAP.	330μF	10V	M
C3120	NDC31HJ-821X	C CAP.	820pF	50V	J
C3121	NDC31HJ-221X	C CAP.	220pF	50V	J
C3201	NDC31HJ-100X	C CAP.	100pF	50V	J
C3202	NDC31HJ-100X	C CAP.	10pF	50V	J
C3203	NDC31HJ-100X	C CAP.	10pF	50V	J
C3204	NCF31CZ-104X	C CAP.	0.1μF	16V	Z
C3205	NCF31CZ-104X	C CAP.	0.1μF	16V	Z
C3206	NCF31CZ-104X	C CAP.	0.1μF	16V	Z
C3207	QETNLEM-476Z	E CAP.	47μF	25V	M
C3208	QETNLEM-476Z	E CAP.	47μF	25V	M
C3209	QETNLEM-476Z	E CAP.	47μF	25V	M
C3210	QFK62EK-104Z	MM CAP.	0.1μF	250V	K
C3211	QFK62EK-104Z	MM CAP.	0.1μF	250V	K
C3212	QFK62EK-104Z	MM CAP.	0.1μF	250V	K
C3213	NDC31HJ-181X	C CAP.	180pF	50V	J
C3214	NDC31HJ-181X	C CAP.	180pF	50V	J
C3215	NDC31HJ-181X	C CAP.	180pF	50V	J
C3216	QETNLM-107Z	E CAP.	100μF	16V	M
C3218	QETN2EM-336	E CAP.	33μF	250V	M
C3219	QFZ0097-223	MM CAP.	0.022μF	1250V	K
C3221	QETN2EM-106	E CAP.	10μF	250V	M
C3222	NDC31HJ-181X	C CAP.	180pF	50V	J
C3302	QETNLM-227Z	E CAP.	220μF	10V	M

**COIL**

L3101	QQL244K-5R6Z	COIL	5.6μH	K
L3201	QQL244K-4R7Z	COIL	4.7μH	K
L3202	QQL244K-4R7Z	COIL	4.7μH	K
L3203	QQL244K-4R7Z	COIL	4.7μH	K
L3204	QQL26AJ-102Z	COIL	1mH	J

**DIODE**

D3101	MA111-X	SI. DIODE		
D3102	MA111-X	SI. DIODE		
D3103	RH1S-T3	SI. DIODE		
D3104	RH1S-T3	SI. DIODE		
D3105	NRS463J-0R0X	MG R	0.0Ω	1/16W J
D3204	EU0JN-T2	SI. DIODE		
D3205	EU0JN-T2	SI. DIODE		
D3206	EU0JN-T2	SI. DIODE		
D3208	1SR124-400A-T2	SI. DIODE		
D3209	1SR124-400A-T2	SI. DIODE		
D3210	1SR124-400A-T2	SI. DIODE		
D3211	MA3062/M/-X	ZENER DIODE		
D3212	MA3130/H/-X	ZENER DIODE		
D3213	MA3130/H/-X	ZENER DIODE		
D3214	MA3130/H/-X	ZENER DIODE		
D3301	MA111-X	SI. DIODE		
D3303	MA111-X	SI. DIODE		

**TRANSISTOR**

Q3101	2SC2412K/QR/-X	SI. TRANSISTOR		
Q3102	2SA1037AK/QR/-X	SI. TRANSISTOR		
Q3103	2SC1906-T	SI. TRANSISTOR		
Q3104	2SC2412K/QR/-X	SI. TRANSISTOR		
Q3105	2SC1740S/QR/-T	SI. TRANSISTOR		
Q3108	2SA1837	SI. TRANSISTOR		
Q3109	2SC4793	SI. TRANSISTOR		
Q3110	2SA933AS/QR/-T	SI. TRANSISTOR		
Q3301	2SA1037AK/QR/-X	SI. TRANSISTOR		

**FRONT CONTROL P.W. BOARD ASS'Y  
(SMF-8501A-H2)**

Symbol No.	Part No.	Part Name	Description
<b>IC</b>			
IC3201	TDA6110	I. C.	
IC3202	TDA6110	I. C.	
IC3203	TDA6110	I. C.	
<b>OTHERS</b>			
CN3013	CHGY0146-0A-G	CONNECTOR	
CN3014	QJK002-063631	CONNECTOR	
K3101	CE41492-001Z	CHOKE COIL	
K3103	CE41492-001Z	CHOKE COIL	
K3104	CE41492-001Z	CHOKE COIL	
K3105	QQR0621-002Z	BEADS CORE	
SG3201	QAF0056-501Z	VARISTOR	
SG3202	QAF0056-501Z	VARISTOR	
SG3203	QAF0056-501Z	VARISTOR	
△ SK3001	QNZ0464-001	CRT SOCKET	

Symbol No.	Part No.	Part Name	Description
<b>RESISTOR</b>			
R8001	QRE121J-101Y	C R	10Ω 1/2W J
R8002	QRE121J-101Y	C R	10Ω 1/2W J
R8003	NRS463J-102X	MG R	1kΩ 1/16W J
R8004	NRS463J-222X	MG R	2.2kΩ 1/16W J
R8005	NRS463J-221X	MG R	220Ω 1/16W J
R8006	NRS463J-182X	MG R	1.8kΩ 1/16W J
R8007	NRS463J-103X	MG R	10kΩ 1/16W J
R8008	NRS463J-102X	MG R	1kΩ 1/16W J
R8010	NRS463J-103X	MG R	10kΩ 1/16W J
R8012	NRS463J-103X	MG R	10kΩ 1/16W J
R8013	NRS463J-103X	MG R	10kΩ 1/16W J
R8020	NRS463J-822X	MG R	8.2kΩ 1/16W J
R8021	NRS463J-102X	MG R	1kΩ 1/16W J
R8022	NRS463J-102X	MG R	1kΩ 1/16W J
R8035	QRE121J-151Y	C R	150Ω 1/2W J
R8036	NRS463J-561X	MG R	560Ω 1/16W J
R8038	NRS463J-182X	MG R	1.8kΩ 1/16W J
R8039	NRS463J-331X	MG R	330Ω 1/16W J

Symbol No.	Part No.	Part Name	Description
<b>CAPACITOR</b>			
C8001	NCB31HK-103X	C CAP.	0.01μF 50V K
C8002	NCB31HK-103X	C CAP.	0.01μF 50V K
C8003	QETNLM-106Z	E CAP.	10μF 50V M
C8004	NCB31CK-104X	C CAP.	0.1μF 16V K
C8010	NCB31HK-472X	C CAP.	4700pF 50V K
C8011	NCB31HK-472X	C CAP.	4700pF 50V K
C8019	QETNLCM-107Z	E CAP.	100μF 16V M
C8022	QETNLEM-476Z	E CAP.	47μF 25V M
△ C8901	QFZ9040-474	MF CAP.	0.47μFAC275V M

Symbol No.	Part No.	Part Name	Description
<b>DIODE</b>			
D8001	MA111-X	CHIP DIODE	
D8002	MA111-X	CHIP DIODE	
D8003	MA111-X	CHIP DIODE	
D8004	MA111-X	CHIP DIODE	
D8005	MA111-X	CHIP DIODE	
D8006	MA111-X	CHIP DIODE	
D8007	P1241-04	CDS	
D8008	MA111-X	CHIP DIODE	
D8009	SLR-342MG-T16	L E D (GR)	
D8010	SPR-39MVWF	L E D 2(G)	
D8011	MA111-X	CHIP DIODE	
D8013	SLR-342YY-T16	L E D (YL)	
D8014	MA3068/M/-X	ZENER DIODE	
D8018	MA3083-X	ZENER DIODE	

Symbol No.	Part No.	Part Name	Description
<b>TRANSISTOR</b>			
Q8001	2SA1037AK/QR/-X	SI TRANSISTOR	
Q8002	DTC124EKA-X	DIGI. TRANSISTOR	
Q8003	DTA124EKA-X	DIGI. TRANSISTOR	
Q8004	DTA124EKA-X	DIGI. TRANSISTOR	
Q8006	DTC124EKA-X	DIGI. TRANSISTOR	
Q8007	DTC124EKA-X	DIGI. TRANSISTOR	

Symbol No.	Part No.	Part Name	Description
<b>IC</b>			
IC8001	GP1U281Q	IFR DETECT UNIT	

Symbol No.	Part No.	Part Name	Description
<b>OTHERS</b>			
△	CEM002-001Z	FUSE CLIP	(x2)
	CM36626-B01-H	L. E. D. HOLDERR	
	CM35921-005-H	CDS HOLDER	
CN8002	QGF1220C2-25	CONNECTOR	
△ F8901	QMF51E2-5R0S	FUSE	5.0A (or QMF2027-5R0-J1)
J8001	QNS0155-001	3.5 JACK	
J8008	QMC0004-C01	MINI DIN JACK	
J8004	CEM011-001	JACK	
J8005	CEM011-002	JACK	
J8006	CEM011-003	JACK	
LC8002	NQR0169-001X	EMI FILTER	
△ LF8901	QQR1253-001	LINE FILTER	
S8001	QSW0619-003Z	PUSH SWITCH	MENU
S8002	QSW0619-003Z	PUSH SWITCH	CH DOWN
S8003	QSW0619-003Z	PUSH SWITCH	CH UP
S8004	QSW0619-003Z	PUSH SWITCH	VOL DOWN
S8005	QSW0619-003Z	PUSH SWITCH	VOL UP
S8006	QSW0619-003Z	PUSH SWITCH	TV/VIDEO
△ S8901	QSW0750-001	PUSH SWITCH	MAIN POWER
△ VA8901	QAF0052-621	VARISTOR	

**HV-34LPZ**

**■ MICOM P.W. BOARD ASS'Y (SMF0M801A-H2)**

Symbol No.	Part No.	Part Name	Description
<b>RESISTOR</b>			
R0001	NRSA63J-102X	MG R	1kΩ 1/16W J
R0002	NRSA63J-104X	MG R	100kΩ 1/16W J
R0008	NRSA63J-102X	MG R	1kΩ 1/16W J
R0004	NRSA63J-102X	MG R	1kΩ 1/16W J
R0005	NRSA63J-102X	MG R	1kΩ 1/16W J
R0006	NRSA63J-393X	MG R	39kΩ 1/16W J
R0018	NRSA63J-102X	MG R	1kΩ 1/16W J
R0019	NRSA63J-102X	MG R	1kΩ 1/16W J
R0020	NRSA63J-102X	MG R	1kΩ 1/16W J
R0022	NRSA63J-472X	MG R	4.7kΩ 1/16W J
R0024	NRSA63J-472X	MG R	4.7kΩ 1/16W J
R0026	NRSA63J-472X	MG R	4.7kΩ 1/16W J
R0030	NRSA63J-472X	MG R	4.7kΩ 1/16W J
R0032	NRSA63J-472X	MG R	4.7kΩ 1/16W J
R0034	NRSA63J-0ROX	MG R	0.0Ω 1/16W J
R0035	NRSA63J-0ROX	MG R	0.0Ω 1/16W J
R0036	NRSA63J-0ROX	MG R	0.0Ω 1/16W J
R0037	NRSA63J-0ROX	MG R	0.0Ω 1/16W J
R0038	NRSA63J-0ROX	MG R	0.0Ω 1/16W J
R0039	NRSA63J-0ROX	MG R	0.0Ω 1/16W J
R0040	NRSA63J-0ROX	MG R	0.0Ω 1/16W J
R0041	NRSA63J-0ROX	MG R	0.0Ω 1/16W J
R0042	NRSA63J-0ROX	MG R	0.0Ω 1/16W J
R0043	NRSA63J-0ROX	MG R	0.0Ω 1/16W J
R0044	NRSA63J-0ROX	MG R	0.0Ω 1/16W J
R0045	NRSA63J-0ROX	MG R	0.0Ω 1/16W J
R0046	NRSA63J-0ROX	MG R	0.0Ω 1/16W J
R0047	NRSA63J-0ROX	MG R	0.0Ω 1/16W J
R0048	NRSA63J-0ROX	MG R	0.0Ω 1/16W J
R0049	NRSA63J-0ROX	MG R	0.0Ω 1/16W J
R0050	NRSA63J-0ROX	MG R	0.0Ω 1/16W J
R0051	NRSA63J-0ROX	MG R	0.0Ω 1/16W J
R0052	NRSA63J-0ROX	MG R	0.0Ω 1/16W J
R0053	NRSA63J-0ROX	MG R	0.0Ω 1/16W J
R0055	NRSA63J-0ROX	MG R	0.0Ω 1/16W J
R0057	NRSA63J-0ROX	MG R	0.0Ω 1/16W J
R0058	NRSA63J-0ROX	MG R	0.0Ω 1/16W J
R0059	NRSA63J-0ROX	MG R	0.0Ω 1/16W J
R0060	NRSA63J-0ROX	MG R	0.0Ω 1/16W J
R0061	NRSA63J-0ROX	MG R	0.0Ω 1/16W J
R0062	NRSA63J-0ROX	MG R	0.0Ω 1/16W J
R0063	NRSA63J-0ROX	MG R	0.0Ω 1/16W J
R0064	NRSA63J-0ROX	MG R	0.0Ω 1/16W J
R0065	NRSA63J-0ROX	MG R	0.0Ω 1/16W J
R0066	NRSA63J-0ROX	MG R	0.0Ω 1/16W J
R0067	NRSA63J-0ROX	MG R	0.0Ω 1/16W J
R0068	NRSA63J-0ROX	MG R	0.0Ω 1/16W J
R0069	NRSA63J-0ROX	MG R	0.0Ω 1/16W J
R0070	NRSA63J-0ROX	MG R	0.0Ω 1/16W J
R0071	NRSA63J-0ROX	MG R	0.0Ω 1/16W J
R0072	NRSA63J-0ROX	MG R	0.0Ω 1/16W J
R0073	NRSA63J-0ROX	MG R	0.0Ω 1/16W J
R0074	NRSA63J-0ROX	MG R	0.0Ω 1/16W J
R0075	NRSA63J-0ROX	MG R	0.0Ω 1/16W J
R0076	NRSA63J-0ROX	MG R	0.0Ω 1/16W J
R0077	NRSA63J-0ROX	MG R	0.0Ω 1/16W J
R0081	NCF31CZ-104X	C CAP.	0.1μF 16V Z
R0087	NRSA63J-221X	MG R	220Ω 1/16W J
R0089	NRSA63J-221X	MG R	220Ω 1/16W J
R0090	NRSA63J-221X	MG R	220Ω 1/16W J
R0091	NRSA63J-221X	MG R	220Ω 1/16W J
R0092	NRSA63J-472X	MG R	4.7kΩ 1/16W J
R0093	NRSA63J-221X	MG R	220Ω 1/16W J
R0094	NRSA63J-472X	MG R	4.7kΩ 1/16W J
R0095	NRSA63J-473X	MG R	47kΩ 1/16W J
R0096	NRSA63J-221X	MG R	220Ω 1/16W J
R0097	NRSA63J-102X	MG R	1kΩ 1/16W J
R0098	NRSA63J-0ROX	MG R	0.0Ω 1/16W J
R0099	NRSA63J-102X	MG R	1kΩ 1/16W J
R0103	NRSA63J-103X	MG R	10kΩ 1/16W J
R0104	NRSA63J-332X	MG R	3.3kΩ 1/16W J
R0107	NRSA63J-102X	MG R	1kΩ 1/16W J

Symbol No.	Part No.	Part Name	Description
<b>RESISTOR</b>			
R0108	NRSA63J-0ROX	MG R	0.0Ω 1/16W J
R0109	NRSA63J-0ROX	MG R	0.0Ω 1/16W J
R0110	NRSA63J-102X	MG R	1kΩ 1/16W J
R0111	NRSA63J-103X	MG R	10kΩ 1/16W J
R0112	NRSA63J-102X	MG R	1kΩ 1/16W J
R0113	NRSA63J-103X	MG R	10kΩ 1/16W J
R0114	NRSA63J-103X	MG R	10kΩ 1/16W J
R0119	NRSA63J-563X	MG R	56kΩ 1/16W J
R0120	NRSA63J-332X	MG R	3.3kΩ 1/16W J
R0121	NRSA63J-182X	MG R	1.8kΩ 1/16W J
R0122	NRSA63J-103X	MG R	10kΩ 1/16W J
R0123	NRSA63J-682X	MG R	6.8kΩ 1/16W J
R0124	NRSA63J-101X	MG R	10Ω 1/16W J
R0125	NRSA63J-472X	MG R	4.7kΩ 1/16W J
R0126	NRSA63J-472X	MG R	4.7kΩ 1/16W J
R0127	NRSA63J-472X	MG R	4.7kΩ 1/16W J
R0128	NRSA63J-472X	MG R	4.7kΩ 1/16W J
R0129	NRSA63J-823X	MG R	82kΩ 1/16W J
R0130	NRSA63J-104X	MG R	100kΩ 1/16W J
R0131	NRSA63J-823X	MG R	82kΩ 1/16W J
R0132	NRSA63J-104X	MG R	100kΩ 1/16W J
R0135	NRSA63J-102X	MG R	1kΩ 1/16W J
R0136	NRSA63J-103X	MG R	10kΩ 1/16W J
R0137	NRSA63J-222X	MG R	2.2kΩ 1/16W J
R0138	NRSA63J-222X	MG R	2.2kΩ 1/16W J
R0139	NRSA63J-222X	MG R	2.2kΩ 1/16W J
R0140	NRSA63J-103X	MG R	10kΩ 1/16W J
R0144	NRSA63J-103X	MG R	10kΩ 1/16W J
R0147	NRSA63J-472X	MG R	4.7kΩ 1/16W J
R0148	NRSA63J-472X	MG R	4.7kΩ 1/16W J
R0149	NRSA63J-472X	MG R	4.7kΩ 1/16W J
R0150	NRSA63J-332X	MG R	3.3kΩ 1/16W J
R0151	NRSA63J-183X	MG R	18kΩ 1/16W J
R0152	NRSA63J-221X	MG R	220Ω 1/16W J
R0153	NRSA63J-221X	MG R	220Ω 1/16W J
R0154	NRSA63J-221X	MG R	220Ω 1/16W J
R0155	NRSA63J-101X	MG R	10Ω 1/16W J
R0156	NRSA63J-101X	MG R	10Ω 1/16W J
R0158	NRSA63J-221X	MG R	220Ω 1/16W J
R0161	NRSA63J-102X	MG R	1kΩ 1/16W J
R0162	NRSA63J-153X	MG R	15kΩ 1/16W J
R0163	NRSA63J-682X	MG R	6.8kΩ 1/16W J
R0165	NRSA63J-103X	MG R	10kΩ 1/16W J
R0166	NRSA63J-223X	MG R	22kΩ 1/16W J
R0167	NRSA63J-103X	MG R	10kΩ 1/16W J
R0168	NRSA63J-471X	MG R	47Ω 1/16W J

**CAPACITOR**

C0001	QETNOJM-477Z	E CAP.	470μF 6.3V M
C0002	NCF31CZ-104X	C CAP.	0.1μF 16V Z
C0003	NCB11CK-225X	C CAP.	2.2μF 16V K
C0004	QETNOJM-108Z	E CAP.	1000μF 6.3V M
C0005	NCB11CK-225X	C CAP.	2.2μF 16V K
C0006	NCB11CK-225X	C CAP.	2.2μF 16V K
C0007	NEH71CM-476X	E CAP.	47μF 16V M
C0008	NCB11CK-225X	C CAP.	2.2μF 16V K
C0012	NCF31CZ-104X	C CAP.	0.1μF 16V Z
C0013	NCF31CZ-104X	C CAP.	0.1μF 16V Z
C0014	NDC31HJ-821X	C CAP.	820pF 50V J
C0017	NDC31HJ-330X	C CAP.	33pF 50V J
C0018	NDC31HJ-820X	C CAP.	82pF 50V J
C0019	NEH71CM-476X	E CAP.	47μF 16V M
C0020	NCF31CZ-104X	C CAP.	0.1μF 16V Z
C0021	NEH71CM-476X	E CAP.	47μF 16V M
C0023	NCB31EK-333X	C CAP.	0.033μF 25V K
C0024	NCF31CZ-104X	C CAP.	0.1μF 16V Z
C0025	NCB31EK-333X	C CAP.	0.033μF 25V K
C0026	NCF31CZ-104X	C CAP.	0.1μF 16V Z
C0027	NEH71CM-476X	E CAP.	47μF 16V M
C0028	NEH71CM-476X	E CAP.	47μF 16V M

Symbol No.	Part No.	Part Name	Description
<b>CAPACITOR</b>			
C0029	NDC31HJ-151X	C CAP.	150pF 50V J
C0030	NCF31CZ-104X	C CAP.	0.1uF 16V Z
C0031	NCF31CZ-104X	C CAP.	0.1uF 16V Z
C0032	NCF31CZ-104X	C CAP.	0.1uF 16V Z
C0034	NCF31CZ-104X	C CAP.	0.1uF 16V Z
C0035	NCF31CZ-104X	C CAP.	0.1uF 16V Z
C0036	NCF31CZ-104X	C CAP.	0.1uF 16V Z
C0037	NCF31CZ-104X	C CAP.	0.1uF 16V Z
C0038	NCF31CZ-104X	C CAP.	0.1uF 16V Z
C0039	NCF31CZ-104X	C CAP.	0.1uF 16V Z
C0040	NDC31HJ-330X	C CAP.	33pF 50V J
C0041	NDC31HJ-270X	C CAP.	27pF 50V J
C0042	NCF31CZ-104X	C CAP.	0.1uF 16V Z
C0043	NCF31CZ-104X	C CAP.	0.1uF 16V Z
C0045	NCF31CZ-104X	C CAP.	0.1uF 16V Z
C0046	NCF31CZ-104X	C CAP.	0.1uF 16V Z
C0047	NCF31CZ-104X	C CAP.	0.1uF 16V Z
C0048	NEH71CM-476X	E CAP.	47uF 16V M
C0049	NCF31CZ-104X	C CAP.	0.1uF 16V Z
C0050	NCF31CZ-104X	C CAP.	0.1uF 16V Z
C0051	NEH71CM-476X	E CAP.	47uF 16V M
C0052	NCF31CZ-104X	C CAP.	0.1uF 16V Z
C0053	NCF31CZ-104X	C CAP.	0.1uF 16V Z
C0054	NCF31CZ-104X	C CAP.	0.1uF 16V Z
C0055	NCF31CZ-104X	C CAP.	0.1uF 16V Z
C0056	NCF31CZ-104X	C CAP.	0.1uF 16V Z
C0057	NCF31CZ-104X	C CAP.	0.1uF 16V Z
C0059	NEH71CM-106X	E CAP.	10uF 16V M
C0060	NEH71CM-106X	E CAP.	10uF 16V M
C0061	NEH71CM-106X	E CAP.	10uF 16V M
C0062	NRS463J-0R0X	MG R	0.00 1/16W J
C0063	NDC31HJ-820X	C CAP.	82pF 50V J
C0064	NDC31HJ-820X	C CAP.	82pF 50V J
C0065	NDC31HJ-820X	C CAP.	82pF 50V J
C0070	NEH71HM-225X	E CAP.	2.2uF 50V M

**COIL**

L0001	NQL092K-4R7X	INDUCTOR
L0003	NQL092K-4R7X	INDUCTOR
L0005	NQL092K-4R7X	INDUCTOR
L0006	NQL092K-4R7X	INDUCTOR
L0007	NQL092K-4R7X	INDUCTOR
L0008	NQL092K-4R7X	INDUCTOR
L0009	NQL034K-4R7X	INDUCTOR
L0010	NQL092K-4R7X	INDUCTOR
L0011	NQL092K-4R7X	INDUCTOR
L0012	NQL092K-4R7X	INDUCTOR
L0013	NQL092K-4R7X	INDUCTOR
L0014	NQL092K-4R7X	INDUCTOR
L0015	NQL034K-4R7X	INDUCTOR
L0016	NQL034K-4R7X	INDUCTOR
L0017	NQL092K-1R5X	INDUCTOR
L0018	NQL092K-1R5X	INDUCTOR
L0019	NQL092K-1R5X	INDUCTOR
L0020	NQL092K-1R5X	INDUCTOR
L0021	NQL092K-1R5X	INDUCTOR
L0022	NQL092K-1R5X	INDUCTOR

**DIODE**

D0001	MA111-X	SI. DIODE
D0005	MA3056/M/-X	ZENER DIODE
D0006	MA3056/M/-X	ZENER DIODE
D0007	MA3056/M/-X	ZENER DIODE
D0008	MA3056/M/-X	ZENER DIODE
D0010	MA3056/M/-X	ZENER DIODE
D0106	MA111-X	SI. DIODE

**TRANSISTOR**

Q0001	2SC2712/YG/-X	SI. TRANSISTOR
Q0002	2SC2712/YG/-X	SI. TRANSISTOR
Q0007	2SA1162/YG/-X	SI. TRANSISTOR

Symbol No.	Part No.	Part Name	Description
<b>TRANSISTOR</b>			
Q0013	2SC2712/YG/-X	SI. TRANSISTOR	
Q0021	2SC2712/YG/-X	SI. TRANSISTOR	
Q0022	2SC2712/YG/-X	SI. TRANSISTOR	

**IC**

IC0001	SDA6000	I. C.	
IC0002	MR27V3202F-7LMA	I. C.	
IC0003	K45641632F-TC75	I. C.	
IC0004	AT24C32-L34PRO	I. C.	(SERVICE)
IC0005	S-80828ANNP-W	I. C.	
IC0901	TA48M025F-X	I. C.	
IC0902	TA48M033F-X	I. C.	
IC0903	MM14B7AF-X	I. C.	

**OTHERS**

CN0001	QGB1505K1-50	CONNECTOR	
K0001	NRS463J-390X	MG R	390 1/16W J
K0003	NRS463J-0R0X	MG R	0.00 1/16W J
K0004	NQR0389-003X	FERRITE BEADS	
LC0001	NQR0313-007X	EMI FILTER	
LC0002	NQR0431-001X	EMI FILTER	
X0001	QAX0669-001Z	CRYSTAL	

HV-34LPZ/HK

■ MICOM P.W. BOARD ASS'Y (SMF0M802A-H2)

Symbol No.	Part No.	Part Name	Description
<b>RESISTOR</b>			
R0001	NRSA63J-102X	MG R	1kΩ 1/16W J
R0002	NRSA63J-104X	MG R	100kΩ 1/16W J
R0003	NRSA63J-102X	MG R	1kΩ 1/16W J
R0004	NRSA63J-102X	MG R	1kΩ 1/16W J
R0005	NRSA63J-102X	MG R	1kΩ 1/16W J
R0006	NRSA63J-399X	MG R	39kΩ 1/16W J
R0018	NRSA63J-102X	MG R	1kΩ 1/16W J
R0019	NRSA63J-102X	MG R	1kΩ 1/16W J
R0020	NRSA63J-102X	MG R	1kΩ 1/16W J
R0022	NRSA63J-472X	MG R	4.7kΩ 1/16W J
R0024	NRSA63J-472X	MG R	4.7kΩ 1/16W J
R0026	NRSA63J-472X	MG R	4.7kΩ 1/16W J
R0030	NRSA63J-472X	MG R	4.7kΩ 1/16W J
R0032	NRSA63J-472X	MG R	4.7kΩ 1/16W J
R0034	NRSA63J-0ROX	MG R	0.0Ω 1/16W J
R0035	NRSA63J-0ROX	MG R	0.0Ω 1/16W J
R0036	NRSA63J-0ROX	MG R	0.0Ω 1/16W J
R0037	NRSA63J-0ROX	MG R	0.0Ω 1/16W J
R0038	NRSA63J-0ROX	MG R	0.0Ω 1/16W J
R0039	NRSA63J-0ROX	MG R	0.0Ω 1/16W J
R0040	NRSA63J-0ROX	MG R	0.0Ω 1/16W J
R0041	NRSA63J-0ROX	MG R	0.0Ω 1/16W J
R0042	NRSA63J-0ROX	MG R	0.0Ω 1/16W J
R0043	NRSA63J-0ROX	MG R	0.0Ω 1/16W J
R0044	NRSA63J-0ROX	MG R	0.0Ω 1/16W J
R0045	NRSA63J-0ROX	MG R	0.0Ω 1/16W J
R0046	NRSA63J-0ROX	MG R	0.0Ω 1/16W J
R0047	NRSA63J-0ROX	MG R	0.0Ω 1/16W J
R0048	NRSA63J-0ROX	MG R	0.0Ω 1/16W J
R0049	NRSA63J-0ROX	MG R	0.0Ω 1/16W J
R0050	NRSA63J-0ROX	MG R	0.0Ω 1/16W J
R0051	NRSA63J-0ROX	MG R	0.0Ω 1/16W J
R0052	NRSA63J-0ROX	MG R	0.0Ω 1/16W J
R0053	NRSA63J-0ROX	MG R	0.0Ω 1/16W J
R0055	NRSA63J-0ROX	MG R	0.0Ω 1/16W J
R0057	NRSA63J-0ROX	MG R	0.0Ω 1/16W J
R0058	NRSA63J-0ROX	MG R	0.0Ω 1/16W J
R0059	NRSA63J-0ROX	MG R	0.0Ω 1/16W J
R0060	NRSA63J-0ROX	MG R	0.0Ω 1/16W J
R0061	NRSA63J-0ROX	MG R	0.0Ω 1/16W J
R0062	NRSA63J-0ROX	MG R	0.0Ω 1/16W J
R0063	NRSA63J-0ROX	MG R	0.0Ω 1/16W J
R0064	NRSA63J-0ROX	MG R	0.0Ω 1/16W J
R0065	NRSA63J-0ROX	MG R	0.0Ω 1/16W J
R0066	NRSA63J-0ROX	MG R	0.0Ω 1/16W J
R0067	NRSA63J-0ROX	MG R	0.0Ω 1/16W J
R0068	NRSA63J-0ROX	MG R	0.0Ω 1/16W J
R0069	NRSA63J-0ROX	MG R	0.0Ω 1/16W J
R0070	NRSA63J-0ROX	MG R	0.0Ω 1/16W J
R0071	NRSA63J-0ROX	MG R	0.0Ω 1/16W J
R0072	NRSA63J-0ROX	MG R	0.0Ω 1/16W J
R0073	NRSA63J-0ROX	MG R	0.0Ω 1/16W J
R0074	NRSA63J-0ROX	MG R	0.0Ω 1/16W J
R0075	NRSA63J-0ROX	MG R	0.0Ω 1/16W J
R0076	NRSA63J-0ROX	MG R	0.0Ω 1/16W J
R0077	NRSA63J-0ROX	MG R	0.0Ω 1/16W J
R0081	NCF31CZ-104X	C CAP.	0.1μF 16V Z
R0087	NRSA63J-221X	MG R	220Ω 1/16W J
R0089	NRSA63J-221X	MG R	220Ω 1/16W J
R0090	NRSA63J-221X	MG R	220Ω 1/16W J
R0091	NRSA63J-221X	MG R	220Ω 1/16W J
R0092	NRSA63J-472X	MG R	4.7kΩ 1/16W J
R0093	NRSA63J-221X	MG R	220Ω 1/16W J
R0094	NRSA63J-472X	MG R	4.7kΩ 1/16W J
R0095	NRSA63J-473X	MG R	47kΩ 1/16W J
R0096	NRSA63J-221X	MG R	220Ω 1/16W J
R0097	NRSA63J-102X	MG R	1kΩ 1/16W J
R0098	NRSA63J-0ROX	MG R	0.0Ω 1/16W J
R0099	NRSA63J-102X	MG R	1kΩ 1/16W J
R0103	NRSA63J-103X	MG R	10kΩ 1/16W J
R0104	NRSA63J-332X	MG R	3.3kΩ 1/16W J
R0107	NRSA63J-102X	MG R	1kΩ 1/16W J

Symbol No.	Part No.	Part Name	Description
<b>RESISTOR</b>			
R0108	NRSA63J-0ROX	MG R	0.0Ω 1/16W J
R0109	NRSA63J-0ROX	MG R	0.0Ω 1/16W J
R0110	NRSA63J-102X	MG R	1kΩ 1/16W J
R0111	NRSA63J-103X	MG R	10kΩ 1/16W J
R0112	NRSA63J-102X	MG R	1kΩ 1/16W J
R0113	NRSA63J-103X	MG R	10kΩ 1/16W J
R0114	NRSA63J-103X	MG R	10kΩ 1/16W J
R0119	NRSA63J-563X	MG R	56kΩ 1/16W J
R0120	NRSA63J-332X	MG R	3.3kΩ 1/16W J
R0121	NRSA63J-182X	MG R	1.8kΩ 1/16W J
R0122	NRSA63J-103X	MG R	10kΩ 1/16W J
R0123	NRSA63J-682X	MG R	6.8kΩ 1/16W J
R0124	NRSA63J-101X	MG R	10Ω 1/16W J
R0125	NRSA63J-472X	MG R	4.7kΩ 1/16W J
R0126	NRSA63J-472X	MG R	4.7kΩ 1/16W J
R0127	NRSA63J-472X	MG R	4.7kΩ 1/16W J
R0128	NRSA63J-472X	MG R	4.7kΩ 1/16W J
R0129	NRSA63J-823X	MG R	82kΩ 1/16W J
R0130	NRSA63J-104X	MG R	100kΩ 1/16W J
R0131	NRSA63J-823X	MG R	82kΩ 1/16W J
R0132	NRSA63J-104X	MG R	100kΩ 1/16W J
R0135	NRSA63J-102X	MG R	1kΩ 1/16W J
R0136	NRSA63J-103X	MG R	10kΩ 1/16W J
R0137	NRSA63J-222X	MG R	2.2kΩ 1/16W J
R0138	NRSA63J-222X	MG R	2.2kΩ 1/16W J
R0139	NRSA63J-222X	MG R	2.2kΩ 1/16W J
R0140	NRSA63J-103X	MG R	10kΩ 1/16W J
R0144	NRSA63J-103X	MG R	10kΩ 1/16W J
R0147	NRSA63J-472X	MG R	4.7kΩ 1/16W J
R0148	NRSA63J-472X	MG R	4.7kΩ 1/16W J
R0149	NRSA63J-472X	MG R	4.7kΩ 1/16W J
R0150	NRSA63J-332X	MG R	3.3kΩ 1/16W J
R0151	NRSA63J-183X	MG R	18kΩ 1/16W J
R0152	NRSA63J-221X	MG R	220Ω 1/16W J
R0153	NRSA63J-221X	MG R	220Ω 1/16W J
R0154	NRSA63J-221X	MG R	220Ω 1/16W J
R0155	NRSA63J-101X	MG R	10Ω 1/16W J
R0156	NRSA63J-101X	MG R	10Ω 1/16W J
R0158	NRSA63J-221X	MG R	220Ω 1/16W J
R0161	NRSA63J-102X	MG R	1kΩ 1/16W J
R0162	NRSA63J-153X	MG R	15kΩ 1/16W J
R0163	NRSA63J-682X	MG R	6.8kΩ 1/16W J
R0165	NRSA63J-103X	MG R	10kΩ 1/16W J
R0166	NRSA63J-223X	MG R	22kΩ 1/16W J
R0167	NRSA63J-103X	MG R	10kΩ 1/16W J
R0168	NRSA63J-471X	MG R	47Ω 1/16W J

**CAPACITOR**

C0001	QETNOJM-477Z	E CAP.	470μF 6.3V M
C0002	NCF31CZ-104X	C CAP.	0.1μF 16V Z
C0003	NCB11CK-225X	C CAP.	2.2μF 16V K
C0004	QETNOJM-108Z	E CAP.	1000μF 6.3V M
C0005	NCB11CK-225X	C CAP.	2.2μF 16V K
C0006	NCB11CK-225X	C CAP.	2.2μF 16V K
C0007	NEH71CM-476X	E CAP.	47μF 16V M
C0008	NCB11CK-225X	C CAP.	2.2μF 16V K
C0012	NCF31CZ-104X	C CAP.	0.1μF 16V Z
C0013	NCF31CZ-104X	C CAP.	0.1μF 16V Z
C0014	NDC31HJ-821X	C CAP.	820pF 50V J
C0017	NDC31HJ-330X	C CAP.	33pF 50V J
C0018	NDC31HJ-820X	C CAP.	82pF 50V J
C0019	NEH71CM-476X	E CAP.	47μF 16V M
C0020	NCF31CZ-104X	C CAP.	0.1μF 16V Z
C0021	NEH71CM-476X	E CAP.	47μF 16V M
C0023	NCB31EK-333X	C CAP.	0.033μF 25V K
C0024	NCF31CZ-104X	C CAP.	0.1μF 16V Z
C0025	NCB31EK-333X	C CAP.	0.033μF 25V K
C0026	NCF31CZ-104X	C CAP.	0.1μF 16V Z
C0027	NEH71CM-476X	E CAP.	47μF 16V M
C0028	NEH71CM-476X	E CAP.	47μF 16V M
C0029	NDC31HJ-151X	C CAP.	150pF 50V J



Symbol No.	Part No.	Part Name	Description
<b>CAPACITOR</b>			
C0030	NCF31CZ-104X	C CAP.	0.1 $\mu$ F 16V Z
C0031	NCF31CZ-104X	C CAP.	0.1 $\mu$ F 16V Z
C0032	NCF31CZ-104X	C CAP.	0.1 $\mu$ F 16V Z
C0034	NCF31CZ-104X	C CAP.	0.1 $\mu$ F 16V Z
C0035	NCF31CZ-104X	C CAP.	0.1 $\mu$ F 16V Z
C0036	NCF31CZ-104X	C CAP.	0.1 $\mu$ F 16V Z
C0037	NCF31CZ-104X	C CAP.	0.1 $\mu$ F 16V Z
C0038	NCF31CZ-104X	C CAP.	0.1 $\mu$ F 16V Z
C0039	NCF31CZ-104X	C CAP.	0.1 $\mu$ F 16V Z
C0040	NDC31HJ-330X	C CAP.	33pF 50V J
C0041	NDC31HJ-270X	C CAP.	27pF 50V J
C0042	NCF31CZ-104X	C CAP.	0.1 $\mu$ F 16V Z
C0043	NCF31CZ-104X	C CAP.	0.1 $\mu$ F 16V Z
C0045	NCF31CZ-104X	C CAP.	0.1 $\mu$ F 16V Z
C0046	NCF31CZ-104X	C CAP.	0.1 $\mu$ F 16V Z
C0047	NCF31CZ-104X	C CAP.	0.1 $\mu$ F 16V Z
C0048	NEH71CM-476X	E CAP.	47 $\mu$ F 16V M
C0049	NCF31CZ-104X	C CAP.	0.1 $\mu$ F 16V Z
C0050	NCF31CZ-104X	C CAP.	0.1 $\mu$ F 16V Z
C0051	NEH71CM-476X	E CAP.	47 $\mu$ F 16V M
C0052	NCF31CZ-104X	C CAP.	0.1 $\mu$ F 16V Z
C0053	NCF31CZ-104X	C CAP.	0.1 $\mu$ F 16V Z
C0054	NCF31CZ-104X	C CAP.	0.1 $\mu$ F 16V Z
C0055	NCF31CZ-104X	C CAP.	0.1 $\mu$ F 16V Z
C0056	NCF31CZ-104X	C CAP.	0.1 $\mu$ F 16V Z
C0057	NCF31CZ-104X	C CAP.	0.1 $\mu$ F 16V Z
C0059	NEH71CM-106X	E CAP.	10 $\mu$ F 16V M
C0060	NEH71CM-106X	E CAP.	10 $\mu$ F 16V M
C0061	NEH71CM-106X	E CAP.	10 $\mu$ F 16V M
C0062	NRS463J-0R0X	MG R	0.0 $\Omega$ 1/16W J
C0063	NDC31HJ-820X	C CAP.	82pF 50V J
C0064	NDC31HJ-820X	C CAP.	82pF 50V J
C0065	NDC31HJ-820X	C CAP.	82pF 50V J
C0070	NEH71HM-225X	E CAP.	2.2 $\mu$ F 50V M

**COIL**

L0001	NQL092K-4R7X	INDUCTOR
L0003	NQL092K-4R7X	INDUCTOR
L0005	NQL092K-4R7X	INDUCTOR
L0006	NQL092K-4R7X	INDUCTOR
L0007	NQL092K-4R7X	INDUCTOR
L0008	NQL092K-4R7X	INDUCTOR
L0009	NQL034K-4R7X	INDUCTOR
L0010	NQL092K-4R7X	INDUCTOR
L0011	NQL092K-4R7X	INDUCTOR
L0012	NQL092K-4R7X	INDUCTOR
L0013	NQL092K-4R7X	INDUCTOR
L0014	NQL092K-4R7X	INDUCTOR
L0015	NQL034K-4R7X	INDUCTOR
L0016	NQL034K-4R7X	INDUCTOR
L0017	NQL092K-1R5X	INDUCTOR
L0018	NQL092K-1R5X	INDUCTOR
L0019	NQL092K-1R5X	INDUCTOR
L0020	NQL092K-1R5X	INDUCTOR
L0021	NQL092K-1R5X	INDUCTOR
L0022	NQL092K-1R5X	INDUCTOR

**DIODE**

D0001	MA111-X	SI. DIODE
D0005	MA3056/M/-X	ZENER DIODE
D0006	MA3056/M/-X	ZENER DIODE
D0007	MA3056/M/-X	ZENER DIODE
D0008	MA3056/M/-X	ZENER DIODE
D0010	MA3056/M/-X	ZENER DIODE
D0106	MA111-X	SI. DIODE

**TRANSISTOR**

Q0001	2SC2712/YG/-X	SI. TRANSISTOR
Q0002	2SC2712/YG/-X	SI. TRANSISTOR
Q0007	2SA1162/YG/-X	SI. TRANSISTOR

Symbol No.	Part No.	Part Name	Description
<b>TRANSISTOR</b>			
Q0013	2SC2712/YG/-X	SI. TRANSISTOR	
Q0021	2SC2712/YG/-X	SI. TRANSISTOR	
Q0022	2SC2712/YG/-X	SI. TRANSISTOR	

**IC**

IC0001	SDA6000	I. C.	
IC0002	MR27V3202F-7LMA	I. C.	
IC0003	K45641632F-TC75	I. C.	
IC0004	AT24C32-L34PRO	I. C.	(SERVICE)
IC0005	S-80828ANNP-W	I. C.	
IC0901	TA48M025F-X	I. C.	
IC0902	TA48M033F-X	I. C.	
IC0903	MM14B7AF-X	I. C.	

**OTHERS**

CN0001	QGB1505K1-50	CONNECTOR	
K0001	NRS463J-390X	MG R	39 $\Omega$ 1/16W J
K0003	NRS463J-0R0X	MG R	0.0 $\Omega$ 1/16W J
K0004	NQR0389-003X	FERRITE BEADS	
LC0001	NQR0313-007X	EMI FILTER	
LC0002	NQR0431-001X	EMI FILTER	
X0001	QAX0669-001Z	CRYSTAL	

HV-34LPZ/A

■ MICOM P.W. BOARD ASS'Y (SMF0M803A-H2)

Symbol No.	Part No.	Part Name	Description
<b>RESISTOR</b>			
R0001	NRSA63J-102X	MG R	1kΩ 1/16W J
R0002	NRSA63J-104X	MG R	100kΩ 1/16W J
R0003	NRSA63J-102X	MG R	1kΩ 1/16W J
R0004	NRSA63J-102X	MG R	1kΩ 1/16W J
R0005	NRSA63J-102X	MG R	1kΩ 1/16W J
R0006	NRSA63J-399X	MG R	39kΩ 1/16W J
R0018	NRSA63J-102X	MG R	1kΩ 1/16W J
R0019	NRSA63J-102X	MG R	1kΩ 1/16W J
R0020	NRSA63J-102X	MG R	1kΩ 1/16W J
R0022	NRSA63J-472X	MG R	4.7kΩ 1/16W J
R0024	NRSA63J-472X	MG R	4.7kΩ 1/16W J
R0026	NRSA63J-472X	MG R	4.7kΩ 1/16W J
R0030	NRSA63J-472X	MG R	4.7kΩ 1/16W J
R0032	NRSA63J-472X	MG R	4.7kΩ 1/16W J
R0034	NRSA63J-0ROX	MG R	0.0Ω 1/16W J
R0035	NRSA63J-0ROX	MG R	0.0Ω 1/16W J
R0036	NRSA63J-0ROX	MG R	0.0Ω 1/16W J
R0037	NRSA63J-0ROX	MG R	0.0Ω 1/16W J
R0038	NRSA63J-0ROX	MG R	0.0Ω 1/16W J
R0039	NRSA63J-0ROX	MG R	0.0Ω 1/16W J
R0040	NRSA63J-0ROX	MG R	0.0Ω 1/16W J
R0041	NRSA63J-0ROX	MG R	0.0Ω 1/16W J
R0042	NRSA63J-0ROX	MG R	0.0Ω 1/16W J
R0043	NRSA63J-0ROX	MG R	0.0Ω 1/16W J
R0044	NRSA63J-0ROX	MG R	0.0Ω 1/16W J
R0045	NRSA63J-0ROX	MG R	0.0Ω 1/16W J
R0046	NRSA63J-0ROX	MG R	0.0Ω 1/16W J
R0047	NRSA63J-0ROX	MG R	0.0Ω 1/16W J
R0048	NRSA63J-0ROX	MG R	0.0Ω 1/16W J
R0049	NRSA63J-0ROX	MG R	0.0Ω 1/16W J
R0050	NRSA63J-0ROX	MG R	0.0Ω 1/16W J
R0051	NRSA63J-0ROX	MG R	0.0Ω 1/16W J
R0052	NRSA63J-0ROX	MG R	0.0Ω 1/16W J
R0053	NRSA63J-0ROX	MG R	0.0Ω 1/16W J
R0055	NRSA63J-0ROX	MG R	0.0Ω 1/16W J
R0057	NRSA63J-0ROX	MG R	0.0Ω 1/16W J
R0058	NRSA63J-0ROX	MG R	0.0Ω 1/16W J
R0059	NRSA63J-0ROX	MG R	0.0Ω 1/16W J
R0060	NRSA63J-0ROX	MG R	0.0Ω 1/16W J
R0061	NRSA63J-0ROX	MG R	0.0Ω 1/16W J
R0062	NRSA63J-0ROX	MG R	0.0Ω 1/16W J
R0063	NRSA63J-0ROX	MG R	0.0Ω 1/16W J
R0064	NRSA63J-0ROX	MG R	0.0Ω 1/16W J
R0065	NRSA63J-0ROX	MG R	0.0Ω 1/16W J
R0066	NRSA63J-0ROX	MG R	0.0Ω 1/16W J
R0067	NRSA63J-0ROX	MG R	0.0Ω 1/16W J
R0068	NRSA63J-0ROX	MG R	0.0Ω 1/16W J
R0069	NRSA63J-0ROX	MG R	0.0Ω 1/16W J
R0070	NRSA63J-0ROX	MG R	0.0Ω 1/16W J
R0071	NRSA63J-0ROX	MG R	0.0Ω 1/16W J
R0072	NRSA63J-0ROX	MG R	0.0Ω 1/16W J
R0073	NRSA63J-0ROX	MG R	0.0Ω 1/16W J
R0074	NRSA63J-0ROX	MG R	0.0Ω 1/16W J
R0075	NRSA63J-0ROX	MG R	0.0Ω 1/16W J
R0076	NRSA63J-0ROX	MG R	0.0Ω 1/16W J
R0077	NRSA63J-0ROX	MG R	0.0Ω 1/16W J
R0081	NCF31CZ-104X	C CAP.	0.1μF 16V Z
R0087	NRSA63J-221X	MG R	220Ω 1/16W J
R0089	NRSA63J-221X	MG R	220Ω 1/16W J
R0090	NRSA63J-221X	MG R	220Ω 1/16W J
R0091	NRSA63J-221X	MG R	220Ω 1/16W J
R0092	NRSA63J-472X	MG R	4.7kΩ 1/16W J
R0093	NRSA63J-221X	MG R	220Ω 1/16W J
R0094	NRSA63J-472X	MG R	4.7kΩ 1/16W J
R0095	NRSA63J-473X	MG R	47kΩ 1/16W J
R0096	NRSA63J-221X	MG R	220Ω 1/16W J
R0097	NRSA63J-102X	MG R	1kΩ 1/16W J
R0098	NRSA63J-0ROX	MG R	0.0Ω 1/16W J
R0099	NRSA63J-102X	MG R	1kΩ 1/16W J
R0103	NRSA63J-103X	MG R	10kΩ 1/16W J
R0104	NRSA63J-332X	MG R	3.3kΩ 1/16W J
R0107	NRSA63J-102X	MG R	1kΩ 1/16W J

Symbol No.	Part No.	Part Name	Description
<b>RESISTOR</b>			
R0108	NRSA63J-0ROX	MG R	0.0Ω 1/16W J
R0109	NRSA63J-0ROX	MG R	0.0Ω 1/16W J
R0110	NRSA63J-102X	MG R	1kΩ 1/16W J
R0111	NRSA63J-103X	MG R	10kΩ 1/16W J
R0112	NRSA63J-102X	MG R	1kΩ 1/16W J
R0113	NRSA63J-103X	MG R	10kΩ 1/16W J
R0114	NRSA63J-103X	MG R	10kΩ 1/16W J
R0119	NRSA63J-563X	MG R	56kΩ 1/16W J
R0120	NRSA63J-332X	MG R	3.3kΩ 1/16W J
R0121	NRSA63J-182X	MG R	1.8kΩ 1/16W J
R0122	NRSA63J-103X	MG R	10kΩ 1/16W J
R0123	NRSA63J-682X	MG R	6.8kΩ 1/16W J
R0124	NRSA63J-101X	MG R	10Ω 1/16W J
R0125	NRSA63J-472X	MG R	4.7kΩ 1/16W J
R0126	NRSA63J-472X	MG R	4.7kΩ 1/16W J
R0127	NRSA63J-472X	MG R	4.7kΩ 1/16W J
R0128	NRSA63J-472X	MG R	4.7kΩ 1/16W J
R0129	NRSA63J-823X	MG R	82kΩ 1/16W J
R0130	NRSA63J-104X	MG R	100kΩ 1/16W J
R0131	NRSA63J-823X	MG R	82kΩ 1/16W J
R0132	NRSA63J-104X	MG R	100kΩ 1/16W J
R0135	NRSA63J-102X	MG R	1kΩ 1/16W J
R0136	NRSA63J-103X	MG R	10kΩ 1/16W J
R0137	NRSA63J-222X	MG R	2.2kΩ 1/16W J
R0138	NRSA63J-222X	MG R	2.2kΩ 1/16W J
R0139	NRSA63J-222X	MG R	2.2kΩ 1/16W J
R0140	NRSA63J-103X	MG R	10kΩ 1/16W J
R0144	NRSA63J-103X	MG R	10kΩ 1/16W J
R0147	NRSA63J-472X	MG R	4.7kΩ 1/16W J
R0148	NRSA63J-472X	MG R	4.7kΩ 1/16W J
R0149	NRSA63J-472X	MG R	4.7kΩ 1/16W J
R0150	NRSA63J-332X	MG R	3.3kΩ 1/16W J
R0151	NRSA63J-183X	MG R	18kΩ 1/16W J
R0152	NRSA63J-221X	MG R	220Ω 1/16W J
R0153	NRSA63J-221X	MG R	220Ω 1/16W J
R0154	NRSA63J-221X	MG R	220Ω 1/16W J
R0155	NRSA63J-101X	MG R	10Ω 1/16W J
R0156	NRSA63J-101X	MG R	10Ω 1/16W J
R0158	NRSA63J-221X	MG R	220Ω 1/16W J
R0161	NRSA63J-102X	MG R	1kΩ 1/16W J
R0162	NRSA63J-153X	MG R	15kΩ 1/16W J
R0163	NRSA63J-682X	MG R	6.8kΩ 1/16W J
R0165	NRSA63J-103X	MG R	10kΩ 1/16W J
R0166	NRSA63J-223X	MG R	22kΩ 1/16W J
R0167	NRSA63J-103X	MG R	10kΩ 1/16W J
R0168	NRSA63J-471X	MG R	47Ω 1/16W J

**CAPACITOR**

C0001	QETN0JM-477Z	E CAP.	470μF 6.3V M
C0002	NCF31CZ-104X	C CAP.	0.1μF 16V Z
C0003	NCB11CK-225X	C CAP.	2.2μF 16V K
C0004	QETN0JM-108Z	E CAP.	1000μF 6.3V M
C0005	NCB11CK-225X	C CAP.	2.2μF 16V K
C0006	NCB11CK-225X	C CAP.	2.2μF 16V K
C0007	NEH71CM-476X	E CAP.	47μF 16V M
C0008	NCB11CK-225X	C CAP.	2.2μF 16V K
C0012	NCF31CZ-104X	C CAP.	0.1μF 16V Z
C0013	NCF31CZ-104X	C CAP.	0.1μF 16V Z
C0014	NDC31HJ-821X	C CAP.	8200pF 50V J
C0017	NDC31HJ-330X	C CAP.	33pF 50V J
C0018	NDC31HJ-820X	C CAP.	82pF 50V J
C0019	NEH71CM-476X	E CAP.	47μF 16V M
C0020	NCF31CZ-104X	C CAP.	0.1μF 16V Z
C0021	NEH71CM-476X	E CAP.	47μF 16V M
C0023	NCB31EK-333X	C CAP.	0.033μF 25V K
C0024	NCF31CZ-104X	C CAP.	0.1μF 16V Z
C0025	NCB31EK-333X	C CAP.	0.033μF 25V K
C0026	NCF31CZ-104X	C CAP.	0.1μF 16V Z
C0027	NEH71CM-476X	E CAP.	47μF 16V M
C0028	NEH71CM-476X	E CAP.	47μF 16V M
C0029	NDC31HJ-151X	C CAP.	150pF 50V J

Symbol No.	Part No.	Part Name	Description
<b>CAPACITOR</b>			
C0030	NCF31CZ-104X	C CAP.	0.1 $\mu$ F 16V Z
C0031	NCF31CZ-104X	C CAP.	0.1 $\mu$ F 16V Z
C0032	NCF31CZ-104X	C CAP.	0.1 $\mu$ F 16V Z
C0034	NCF31CZ-104X	C CAP.	0.1 $\mu$ F 16V Z
C0035	NCF31CZ-104X	C CAP.	0.1 $\mu$ F 16V Z
C0036	NCF31CZ-104X	C CAP.	0.1 $\mu$ F 16V Z
C0037	NCF31CZ-104X	C CAP.	0.1 $\mu$ F 16V Z
C0038	NCF31CZ-104X	C CAP.	0.1 $\mu$ F 16V Z
C0039	NCF31CZ-104X	C CAP.	0.1 $\mu$ F 16V Z
C0040	NDC31HJ-330X	C CAP.	33pF 50V J
C0041	NDC31HJ-270X	C CAP.	27pF 50V J
C0042	NCF31CZ-104X	C CAP.	0.1 $\mu$ F 16V Z
C0043	NCF31CZ-104X	C CAP.	0.1 $\mu$ F 16V Z
C0045	NCF31CZ-104X	C CAP.	0.1 $\mu$ F 16V Z
C0046	NCF31CZ-104X	C CAP.	0.1 $\mu$ F 16V Z
C0047	NCF31CZ-104X	C CAP.	0.1 $\mu$ F 16V Z
C0048	NEH71CM-476X	E CAP.	47 $\mu$ F 16V M
C0049	NCF31CZ-104X	C CAP.	0.1 $\mu$ F 16V Z
C0050	NCF31CZ-104X	C CAP.	0.1 $\mu$ F 16V Z
C0051	NEH71CM-476X	E CAP.	47 $\mu$ F 16V M
C0052	NCF31CZ-104X	C CAP.	0.1 $\mu$ F 16V Z
C0053	NCF31CZ-104X	C CAP.	0.1 $\mu$ F 16V Z
C0054	NCF31CZ-104X	C CAP.	0.1 $\mu$ F 16V Z
C0055	NCF31CZ-104X	C CAP.	0.1 $\mu$ F 16V Z
C0056	NCF31CZ-104X	C CAP.	0.1 $\mu$ F 16V Z
C0057	NCF31CZ-104X	C CAP.	0.1 $\mu$ F 16V Z
C0059	NEH71CM-106X	E CAP.	10 $\mu$ F 16V M
C0060	NEH71CM-106X	E CAP.	10 $\mu$ F 16V M
C0061	NEH71CM-106X	E CAP.	10 $\mu$ F 16V M
C0062	NRS463J-0R0X	MG R	0.0 $\Omega$ 1/16W J
C0063	NDC31HJ-820X	C CAP.	82pF 50V J
C0064	NDC31HJ-820X	C CAP.	82pF 50V J
C0065	NDC31HJ-820X	C CAP.	82pF 50V J
C0070	NEH71HM-225X	E CAP.	2.2 $\mu$ F 50V M

**COIL**

L0001	NQL092K-4R7X	INDUCTOR
L0003	NQL092K-4R7X	INDUCTOR
L0005	NQL092K-4R7X	INDUCTOR
L0006	NQL092K-4R7X	INDUCTOR
L0007	NQL092K-4R7X	INDUCTOR
L0008	NQL092K-4R7X	INDUCTOR
L0009	NQL034K-4R7X	INDUCTOR
L0010	NQL092K-4R7X	INDUCTOR
L0011	NQL092K-4R7X	INDUCTOR
L0012	NQL092K-4R7X	INDUCTOR
L0013	NQL092K-4R7X	INDUCTOR
L0014	NQL092K-4R7X	INDUCTOR
L0015	NQL034K-4R7X	INDUCTOR
L0016	NQL034K-4R7X	INDUCTOR
L0017	NQL092K-1R5X	INDUCTOR
L0018	NQL092K-1R5X	INDUCTOR
L0019	NQL092K-1R5X	INDUCTOR
L0020	NQL092K-1R5X	INDUCTOR
L0021	NQL092K-1R5X	INDUCTOR
L0022	NQL092K-1R5X	INDUCTOR

**DIODE**

D0001	MA111-X	SI DIODE
D0005	MA3056/M/-X	ZENER DIODE
D0006	MA3056/M/-X	ZENER DIODE
D0007	MA3056/M/-X	ZENER DIODE
D0008	MA3056/M/-X	ZENER DIODE
D0010	MA3056/M/-X	ZENER DIODE
D0106	MA111-X	SI DIODE

**TRANSISTOR**

Q0001	2SC2712/YG/-X	SI TRANSISTOR
Q0002	2SC2712/YG/-X	SI TRANSISTOR
Q0007	2SA1162/YG/-X	SI TRANSISTOR

Symbol No.	Part No.	Part Name	Description
<b>TRANSISTOR</b>			
Q0013	2SC2712/YG/-X	SI TRANSISTOR	
Q0021	2SC2712/YG/-X	SI TRANSISTOR	
Q0022	2SC2712/YG/-X	SI TRANSISTOR	

**IC**

IC0001	SDA6000	I.C.	
IC0002	MR27V3202F-7LMA	I.C.	
IC0003	K45641632F-TC75	I.C.	
IC0004	AT24C32-L34PRO	I.C.	(SERVICE)
IC0005	S-80828ANNP-W	I.C.	
IC0901	TA48M025F-X	I.C.	
IC0902	TA48M033F-X	I.C.	
IC0903	MM14B7AF-X	I.C.	

**OTHERS**

CN0001	QGB1505K1-50	CONNECTOR	
K0001	NRS463J-390X	MG R	39 $\Omega$ 1/16W J
K0003	NRS463J-0R0X	MG R	0.0 $\Omega$ 1/16W J
K0004	NQR0389-003X	FERRITE BEADS	
LC0001	NQR0313-007X	EMI FILTER	
LC0002	NQR0431-001X	EMI FILTER	
X0001	QAX0669-001Z	CRYSTAL	

HV-34LPZ/EE

■ MICOM P.W. BOARD ASS'Y (SMF0M804A-H2)

Symbol No.	Part No.	Part Name	Description
<b>RESISTOR</b>			
R0001	NRSA63J-102X	MG R	1kΩ 1/16W J
R0002	NRSA63J-104X	MG R	100kΩ 1/16W J
R0003	NRSA63J-102X	MG R	1kΩ 1/16W J
R0004	NRSA63J-102X	MG R	1kΩ 1/16W J
R0005	NRSA63J-102X	MG R	1kΩ 1/16W J
R0006	NRSA63J-399X	MG R	39kΩ 1/16W J
R0018	NRSA63J-102X	MG R	1kΩ 1/16W J
R0019	NRSA63J-102X	MG R	1kΩ 1/16W J
R0020	NRSA63J-102X	MG R	1kΩ 1/16W J
R0022	NRSA63J-472X	MG R	4.7kΩ 1/16W J
R0024	NRSA63J-472X	MG R	4.7kΩ 1/16W J
R0026	NRSA63J-472X	MG R	4.7kΩ 1/16W J
R0030	NRSA63J-472X	MG R	4.7kΩ 1/16W J
R0032	NRSA63J-472X	MG R	4.7kΩ 1/16W J
R0034	NRSA63J-0ROX	MG R	0.0Ω 1/16W J
R0035	NRSA63J-0ROX	MG R	0.0Ω 1/16W J
R0036	NRSA63J-0ROX	MG R	0.0Ω 1/16W J
R0037	NRSA63J-0ROX	MG R	0.0Ω 1/16W J
R0038	NRSA63J-0ROX	MG R	0.0Ω 1/16W J
R0039	NRSA63J-0ROX	MG R	0.0Ω 1/16W J
R0040	NRSA63J-0ROX	MG R	0.0Ω 1/16W J
R0041	NRSA63J-0ROX	MG R	0.0Ω 1/16W J
R0042	NRSA63J-0ROX	MG R	0.0Ω 1/16W J
R0043	NRSA63J-0ROX	MG R	0.0Ω 1/16W J
R0044	NRSA63J-0ROX	MG R	0.0Ω 1/16W J
R0045	NRSA63J-0ROX	MG R	0.0Ω 1/16W J
R0046	NRSA63J-0ROX	MG R	0.0Ω 1/16W J
R0047	NRSA63J-0ROX	MG R	0.0Ω 1/16W J
R0048	NRSA63J-0ROX	MG R	0.0Ω 1/16W J
R0049	NRSA63J-0ROX	MG R	0.0Ω 1/16W J
R0050	NRSA63J-0ROX	MG R	0.0Ω 1/16W J
R0051	NRSA63J-0ROX	MG R	0.0Ω 1/16W J
R0052	NRSA63J-0ROX	MG R	0.0Ω 1/16W J
R0053	NRSA63J-0ROX	MG R	0.0Ω 1/16W J
R0055	NRSA63J-0ROX	MG R	0.0Ω 1/16W J
R0057	NRSA63J-0ROX	MG R	0.0Ω 1/16W J
R0058	NRSA63J-0ROX	MG R	0.0Ω 1/16W J
R0059	NRSA63J-0ROX	MG R	0.0Ω 1/16W J
R0060	NRSA63J-0ROX	MG R	0.0Ω 1/16W J
R0061	NRSA63J-0ROX	MG R	0.0Ω 1/16W J
R0062	NRSA63J-0ROX	MG R	0.0Ω 1/16W J
R0063	NRSA63J-0ROX	MG R	0.0Ω 1/16W J
R0064	NRSA63J-0ROX	MG R	0.0Ω 1/16W J
R0065	NRSA63J-0ROX	MG R	0.0Ω 1/16W J
R0066	NRSA63J-0ROX	MG R	0.0Ω 1/16W J
R0067	NRSA63J-0ROX	MG R	0.0Ω 1/16W J
R0068	NRSA63J-0ROX	MG R	0.0Ω 1/16W J
R0069	NRSA63J-0ROX	MG R	0.0Ω 1/16W J
R0070	NRSA63J-0ROX	MG R	0.0Ω 1/16W J
R0071	NRSA63J-0ROX	MG R	0.0Ω 1/16W J
R0072	NRSA63J-0ROX	MG R	0.0Ω 1/16W J
R0073	NRSA63J-0ROX	MG R	0.0Ω 1/16W J
R0074	NRSA63J-0ROX	MG R	0.0Ω 1/16W J
R0075	NRSA63J-0ROX	MG R	0.0Ω 1/16W J
R0076	NRSA63J-0ROX	MG R	0.0Ω 1/16W J
R0077	NRSA63J-0ROX	MG R	0.0Ω 1/16W J
R0081	NCF31CZ-104X	C CAP.	0.1μF 16V Z
R0087	NRSA63J-221X	MG R	220Ω 1/16W J
R0089	NRSA63J-221X	MG R	220Ω 1/16W J
R0090	NRSA63J-221X	MG R	220Ω 1/16W J
R0091	NRSA63J-221X	MG R	220Ω 1/16W J
R0092	NRSA63J-472X	MG R	4.7kΩ 1/16W J
R0093	NRSA63J-221X	MG R	220Ω 1/16W J
R0094	NRSA63J-472X	MG R	4.7kΩ 1/16W J
R0095	NRSA63J-473X	MG R	47kΩ 1/16W J
R0096	NRSA63J-221X	MG R	220Ω 1/16W J
R0097	NRSA63J-102X	MG R	1kΩ 1/16W J
R0098	NRSA63J-0ROX	MG R	0.0Ω 1/16W J
R0099	NRSA63J-102X	MG R	1kΩ 1/16W J
R0103	NRSA63J-103X	MG R	10kΩ 1/16W J
R0104	NRSA63J-332X	MG R	3.3kΩ 1/16W J
R0107	NRSA63J-102X	MG R	1kΩ 1/16W J

Symbol No.	Part No.	Part Name	Description
<b>RESISTOR</b>			
R0108	NRSA63J-0ROX	MG R	0.0Ω 1/16W J
R0119	NRSA63J-563X	MG R	56kΩ 1/16W J
R0109	NRSA63J-0ROX	MG R	0.0Ω 1/16W J
R0110	NRSA63J-102X	MG R	1kΩ 1/16W J
R0111	NRSA63J-103X	MG R	10kΩ 1/16W J
R0112	NRSA63J-102X	MG R	1kΩ 1/16W J
R0113	NRSA63J-103X	MG R	10kΩ 1/16W J
R0114	NRSA63J-103X	MG R	10kΩ 1/16W J
R0120	NRSA63J-332X	MG R	3.3kΩ 1/16W J
R0121	NRSA63J-182X	MG R	1.8kΩ 1/16W J
R0122	NRSA63J-103X	MG R	10kΩ 1/16W J
R0123	NRSA63J-682X	MG R	6.8kΩ 1/16W J
R0124	NRSA63J-101X	MG R	10Ω 1/16W J
R0125	NRSA63J-472X	MG R	4.7kΩ 1/16W J
R0126	NRSA63J-472X	MG R	4.7kΩ 1/16W J
R0127	NRSA63J-472X	MG R	4.7kΩ 1/16W J
R0128	NRSA63J-472X	MG R	4.7kΩ 1/16W J
R0129	NRSA63J-823X	MG R	82kΩ 1/16W J
R0130	NRSA63J-104X	MG R	100kΩ 1/16W J
R0131	NRSA63J-823X	MG R	82kΩ 1/16W J
R0132	NRSA63J-104X	MG R	100kΩ 1/16W J
R0135	NRSA63J-102X	MG R	1kΩ 1/16W J
R0136	NRSA63J-103X	MG R	10kΩ 1/16W J
R0137	NRSA63J-222X	MG R	2.2kΩ 1/16W J
R0138	NRSA63J-222X	MG R	2.2kΩ 1/16W J
R0139	NRSA63J-222X	MG R	2.2kΩ 1/16W J
R0140	NRSA63J-103X	MG R	10kΩ 1/16W J
R0144	NRSA63J-103X	MG R	10kΩ 1/16W J
R0147	NRSA63J-472X	MG R	4.7kΩ 1/16W J
R0148	NRSA63J-472X	MG R	4.7kΩ 1/16W J
R0149	NRSA63J-472X	MG R	4.7kΩ 1/16W J
R0150	NRSA63J-332X	MG R	3.3kΩ 1/16W J
R0151	NRSA63J-183X	MG R	18kΩ 1/16W J
R0152	NRSA63J-221X	MG R	220Ω 1/16W J
R0153	NRSA63J-221X	MG R	220Ω 1/16W J
R0154	NRSA63J-221X	MG R	220Ω 1/16W J
R0155	NRSA63J-101X	MG R	10Ω 1/16W J
R0156	NRSA63J-101X	MG R	10Ω 1/16W J
R0158	NRSA63J-221X	MG R	220Ω 1/16W J
R0161	NRSA63J-102X	MG R	1kΩ 1/16W J
R0162	NRSA63J-153X	MG R	15kΩ 1/16W J
R0163	NRSA63J-682X	MG R	6.8kΩ 1/16W J
R0165	NRSA63J-103X	MG R	10kΩ 1/16W J
R0166	NRSA63J-223X	MG R	22kΩ 1/16W J
R0167	NRSA63J-103X	MG R	10kΩ 1/16W J
R0168	NRSA63J-471X	MG R	47Ω 1/16W J

**CAPACITOR**

C0001	QETNOJM-477Z	E	470μF 6.3V M
C0002	NCF31CZ-104X	C CAP.	0.1μF 16V Z
C0003	NCB11CK-225X	C CAP.	2.2μF 16V K
C0004	QETNOJM-108Z	E CAP.	1000μF 6.3V M
C0005	NCB11CK-225X	C CAP.	2.2μF 16V K
C0006	NCB11CK-225X	C CAP.	2.2μF 16V K
C0007	NEH71CM-476X	E CAP.	47μF 16V M
C0008	NCB11CK-225X	C CAP.	2.2μF 16V K
C0012	NCF31CZ-104X	C CAP.	0.1μF 16V Z
C0013	NCF31CZ-104X	C CAP.	0.1μF 16V Z
C0014	NDC31HJ-821X	C CAP.	820pF 50V J
C0017	NDC31HJ-330X	C CAP.	33pF 50V J
C0018	NDC31HJ-820X	C CAP.	82pF 50V J
C0019	NEH71CM-476X	E CAP.	47μF 16V M
C0020	NCF31CZ-104X	C CAP.	0.1μF 16V Z
C0021	NEH71CM-476X	E CAP.	47μF 16V M
C0023	NCB31EK-333X	C CAP.	0.033μF 25V K
C0024	NCF31CZ-104X	C CAP.	0.1μF 16V Z
C0025	NCB31EK-333X	C CAP.	0.033μF 25V K
C0026	NCF31CZ-104X	C CAP.	0.1μF 16V Z
C0027	NEH71CM-476X	E CAP.	47μF 16V M
C0028	NEH71CM-476X	E CAP.	47μF 16V M
C0029	NDC31HJ-151X	C CAP.	150pF 50V J
C0030	NCF31CZ-104X	C CAP.	0.1μF 16V Z

Symbol No.	Part No.	Part Name	Description
<b>CAPACITOR</b>			
C0031	NCF31CZ-104X	C CAP.	0.1µF 16V Z
C0032	NCF31CZ-104X	C CAP.	0.1µF 16V Z
C0034	NCF31CZ-104X	C CAP.	0.1µF 16V Z
C0035	NCF31CZ-104X	C CAP.	0.1µF 16V Z
C0036	NCF31CZ-104X	C CAP.	0.1µF 16V Z
C0037	NCF31CZ-104X	C CAP.	0.1µF 16V Z
C0038	NCF31CZ-104X	C CAP.	0.1µF 16V Z
C0039	NCF31CZ-104X	C CAP.	0.1µF 16V Z
C0040	NDC31HJ-330X	C CAP.	33pF 50V J
C0041	NDC31HJ-270X	C CAP.	27pF 50V J
C0042	NCF31CZ-104X	C CAP.	0.1µF 16V Z
C0043	NCF31CZ-104X	C CAP.	0.1µF 16V Z
C0045	NCF31CZ-104X	C CAP.	0.1µF 16V Z
C0046	NCF31CZ-104X	C CAP.	0.1µF 16V Z
C0047	NCF31CZ-104X	C CAP.	0.1µF 16V Z
C0048	NEH71CM-476X	E CAP.	47µF 16V M
C0049	NCF31CZ-104X	C CAP.	0.1µF 16V Z
C0050	NCF31CZ-104X	C CAP.	0.1µF 16V Z
C0051	NEH71CM-476X	E CAP.	47µF 16V M
C0052	NCF31CZ-104X	C CAP.	0.1µF 16V Z
C0053	NCF31CZ-104X	C CAP.	0.1µF 16V Z
C0054	NCF31CZ-104X	C CAP.	0.1µF 16V Z
C0055	NCF31CZ-104X	C CAP.	0.1µF 16V Z
C0056	NCF31CZ-104X	C CAP.	0.1µF 16V Z
C0057	NCF31CZ-104X	C CAP.	0.1µF 16V Z
C0059	NEH71CM-106X	E CAP.	10µF 16V M
C0060	NEH71CM-106X	E CAP.	10µF 16V M
C0061	NEH71CM-106X	E CAP.	10µF 16V M
C0062	NRS463J-0R0X	MG R	0.0Ω 1/16W J
C0063	NDC31HJ-820X	C CAP.	82pF 50V J
C0064	NDC31HJ-820X	C CAP.	82pF 50V J
C0065	NDC31HJ-820X	C CAP.	82pF 50V J
C0070	NEH71HM-225X	E CAP.	2.2µF 50V M

**COIL**

L0001	NQL092K-4R7X	INDUCTOR	
L0003	NQL092K-4R7X	INDUCTOR	
L0005	NQL092K-4R7X	INDUCTOR	
L0006	NQL092K-4R7X	INDUCTOR	
L0007	NQL092K-4R7X	INDUCTOR	
L0008	NQL092K-4R7X	INDUCTOR	
L0009	NQL034K-4R7X	INDUCTOR	
L0010	NQL092K-4R7X	INDUCTOR	
L0011	NQL092K-4R7X	INDUCTOR	
L0012	NQL092K-4R7X	INDUCTOR	
L0013	NQL092K-4R7X	INDUCTOR	
L0014	NQL092K-4R7X	INDUCTOR	
L0015	NQL034K-4R7X	INDUCTOR	
L0016	NQL034K-4R7X	INDUCTOR	
L0017	NQL092K-1R5X	INDUCTOR	
L0018	NQL092K-1R5X	INDUCTOR	
L0019	NQL092K-1R5X	INDUCTOR	
L0020	NQL092K-1R5X	INDUCTOR	
L0021	NQL092K-1R5X	INDUCTOR	
L0022	NQL092K-1R5X	INDUCTOR	

**DIODE**

D0001	MA111-X	SI. DIODE	
D0005	MA3056/M/-X	ZENER DIODE	
D0006	MA3056/M/-X	ZENER DIODE	
D0007	MA3056/M/-X	ZENER DIODE	
D0008	MA3056/M/-X	ZENER DIODE	
D0010	MA3068/M/-X	ZENER DIODE	
D0106	MA111-X	SI. DIODE	

**TRANSISTOR**

Q0001	2SC2712/YG/-X	SI. TRANSISTOR	
Q0002	2SC2712/YG/-X	SI. TRANSISTOR	
Q0007	2SA1162/YG/-X	SI. TRANSISTOR	

Symbol No.	Part No.	Part Name	Description
<b>TRANSISTOR</b>			
Q0013	2SC2712/YG/-X	SI. TRANSISTOR	
Q0021	2SC2712/YG/-X	SI. TRANSISTOR	
Q0022	2SC2712/YG/-X	SI. TRANSISTOR	

**IC**

IC0001	SDA6000	I. C.	
IC0002	MR27V3202F-7LMA	I. C.	
IC0003	K45641632F-TC75	I. C.	
IC0004	AT24C32-L34PRO	I. C.	(SERVICE)
IC0005	S-80828ANNP-W	I. C.	
IC0901	TA48M025F-X	I. C.	
IC0902	TA48M033F-X	I. C.	
IC0903	MM14B7AF-X	I. C.	

**OTHERS**

CN0001	QGB1505K1-50	CONNECTOR	
K0001	NRS463J-390X	MG R	39Ω 1/16W J
K0003	NRS463J-0R0X	MG R	0.0Ω 1/16W J
K0004	NQR0389-003X	FERRITE BEADS	
LC0001	NQR0313-007X	EMI FILTER	
LC0002	NQR0431-001X	EMI FILTER	
X0001	QAX0669-001Z	CRYSTAL	

■ AV SW P.W. BOARD ASS'Y  
(SMF0S501A-H2)

△ Symbol No.	Part No.	Part Name	Description
<b>RESISTOR</b>			
R0002	NRSA63J-101X	MG R	100Ω 1/16W J
R0008	NRSA63J-101X	MG R	100Ω 1/16W J
R0101	NRSA63J-750X	MG R	75Ω 1/16W J
R0102	NRSA63J-333X	MG R	33kΩ 1/16W J
R0108	NRSA63J-750X	MG R	75Ω 1/16W J
R0104	NRSA63J-750X	MG R	75Ω 1/16W J
R0105	NRSA63J-222X	MG R	2.2kΩ 1/16W J
R0106	NRSA63J-222X	MG R	2.2kΩ 1/16W J
R0107	NRSA63J-101X	MG R	100Ω 1/16W J
R0108	NRSA63J-333X	MG R	33kΩ 1/16W J
R0109	NRSA63J-101X	MG R	100Ω 1/16W J
R0110	NRSA63J-333X	MG R	33kΩ 1/16W J
R0111	NRSA63J-101X	MG R	100Ω 1/16W J
R0112	NRSA63J-101X	MG R	100Ω 1/16W J
R0113	NRSA63J-101X	MG R	100Ω 1/16W J
R0114	NRSA63J-750X	MG R	75Ω 1/16W J
R0115	NRSA63J-223X	MG R	22kΩ 1/16W J
R0116	NRSA63J-750X	MG R	75Ω 1/16W J
R0117	NRSA63J-223X	MG R	22kΩ 1/16W J
R0118	NRSA63J-750X	MG R	75Ω 1/16W J
R0119	NRSA63J-750X	MG R	75Ω 1/16W J
R0120	NRSA63J-823X	MG R	82kΩ 1/16W J
R0121	NRSA63J-823X	MG R	82kΩ 1/16W J
R0122	NRSA63J-471X	MG R	470Ω 1/16W J
R0123	NRSA63J-223X	MG R	22kΩ 1/16W J
R0124	NRSA63J-153X	MG R	15kΩ 1/16W J
R0125	NRSA63J-222X	MG R	2.2kΩ 1/16W J
R0126	NRSA63J-391X	MG R	390Ω 1/16W J
R0127	NRSA63J-391X	MG R	390Ω 1/16W J
R0128	NRSA63J-104X	MG R	100kΩ 1/16W J
R0129	NRSA63J-222X	MG R	2.2kΩ 1/16W J
R0130	NRSA63J-222X	MG R	2.2kΩ 1/16W J
R0131	NRSA63J-333X	MG R	33kΩ 1/16W J
R0132	NRSA63J-223X	MG R	22kΩ 1/16W J
R0133	NRSA63J-153X	MG R	15kΩ 1/16W J
R0134	NRSA63J-222X	MG R	2.2kΩ 1/16W J
R0135	NRSA63J-333X	MG R	33kΩ 1/16W J
R0136	NRSA63J-222X	MG R	2.2kΩ 1/16W J
R0137	NRSA63J-333X	MG R	33kΩ 1/16W J
R0138	NRSA63J-222X	MG R	2.2kΩ 1/16W J
R0139	NRSA63J-333X	MG R	33kΩ 1/16W J
R0140	NRSA63J-562X	MG R	5.6kΩ 1/16W J
R0141	NRSA63J-102X	MG R	1kΩ 1/16W J
R0142	NRSA63J-102X	MG R	1kΩ 1/16W J
R0143	NRSA63J-101X	MG R	100Ω 1/16W J
R0144	NRSA63J-101X	MG R	100Ω 1/16W J
R0145	NRSA63J-101X	MG R	100Ω 1/16W J
R0146	NRSA63J-101X	MG R	100Ω 1/16W J
R0147	NRSA63J-101X	MG R	100Ω 1/16W J
R0148	NRSA63J-101X	MG R	100Ω 1/16W J
R0149	NRSA63J-101X	MG R	100Ω 1/16W J
R0150	NRSA63J-750X	MG R	75Ω 1/16W J
R0151	NRSA63J-222X	MG R	2.2kΩ 1/16W J
R0152	NRSA63J-333X	MG R	33kΩ 1/16W J
R0153	NRSA63J-750X	MG R	75Ω 1/16W J
R0154	NRSA63J-222X	MG R	2.2kΩ 1/16W J
R0155	NRSA63J-333X	MG R	33kΩ 1/16W J
R0156	NRSA63J-750X	MG R	75Ω 1/16W J
R0157	NRSA63J-562X	MG R	5.6kΩ 1/16W J
R0158	NRSA63J-102X	MG R	1kΩ 1/16W J
R0159	NRSA63J-102X	MG R	1kΩ 1/16W J
R0160	NRSA63J-562X	MG R	5.6kΩ 1/16W J
R0161	NRSA63J-101X	MG R	100Ω 1/16W J
R0162	NRSA63J-101X	MG R	100Ω 1/16W J
R0163	NRSA63J-101X	MG R	100Ω 1/16W J
R0164	NRSA63J-101X	MG R	100Ω 1/16W J
R0165	NRSA63J-101X	MG R	100Ω 1/16W J
R0166	NRSA63J-101X	MG R	100Ω 1/16W J
R0167	NRSA63J-222X	MG R	2.2kΩ 1/16W J
R0168	NRSA63J-101X	MG R	100Ω 1/16W J
R0169	NRSA63J-333X	MG R	33kΩ 1/16W J
R0170	NRSA63J-221X	MG R	220Ω 1/16W J
R0171	NRSA63J-221X	MG R	220Ω 1/16W J
R0172	NRSA63J-750X	MG R	75Ω 1/16W J

△ Symbol No.	Part No.	Part Name	Description
<b>RESISTOR</b>			
R0173	QRK126J-151X	C R	150Ω 1/2W J
R0174	NRSA63J-101X	MG R	100Ω 1/16W J
R0175	NRSA63J-222X	MG R	2.2kΩ 1/16W J
R0176	NRSA63J-181X	MG R	180Ω 1/16W J
R0179	NRSA63J-181X	MG R	180Ω 1/16W J
R0181	NRSA63J-182X	MG R	1.8kΩ 1/16W J
R0183	NRSA63J-562X	MG R	5.6kΩ 1/16W J
R0601	NRSA63J-225X	MG R	2.2kΩ 1/16W J
R0602	NRSA63J-223X	MG R	2.2kΩ 1/16W J
R0603	NRSA63J-472X	MG R	4.7kΩ 1/16W J
R0604	NRSA63J-822X	MG R	8.2kΩ 1/16W J
R0605	NRSA63J-562X	MG R	5.6kΩ 1/16W J
R0606	NRSA63J-472X	MG R	4.7kΩ 1/16W J
R0607	NRSA63J-822X	MG R	8.2kΩ 1/16W J
R0608	NRSA63J-154X	MG R	150kΩ 1/16W J
R0609	NRSA63J-822X	MG R	8.2kΩ 1/16W J
R0610	NRSA63J-182X	MG R	1.8kΩ 1/16W J
R0611	NRSA63J-105X	MG R	1MΩ 1/16W J

△ Symbol No.	Part No.	Part Name	Description
<b>CAPACITOR</b>			
C0001	NCB31HK-222X	C CAP.	2200pF 50V K
C0002	QETNLHM-106Z	E CAP.	10μF 50V M
C0003	NCB31CK-104X	C CAP.	0.1μF 16V K
C0004	QETNLHM-108Z	E CAP.	1000μF 16V M
C0005	NCB31HK-103X	C CAP.	0.01μF 50V K
C0006	QETNLHM-106Z	E CAP.	10μF 50V M
C0011	NCB31CK-104X	C CAP.	0.1μF 16V K
C0012	NCB31CK-104X	C CAP.	0.1μF 16V K
C0013	QETNLHM-106Z	E CAP.	10μF 50V M
C0101	NCB31HK-152X	C CAP.	1500pF 50V K
C0102	NCB31HK-152X	C CAP.	1500pF 50V K
C0103	QETNLHM-106Z	E CAP.	10μF 50V M
C0104	QETNLHM-105Z	E CAP.	1μF 50V M
C0105	QETNLHM-106Z	E CAP.	10μF 50V M
C0106	QETNLHM-105Z	E CAP.	1μF 50V M
C0107	NCB31HK-103X	C CAP.	0.01μF 50V K
C0108	NCB31HK-152X	C CAP.	1500pF 50V K
C0109	NCB31HK-152X	C CAP.	1500pF 50V K
C0110	QETNLHM-106Z	E CAP.	10μF 50V M
C0111	NCB31HK-152X	C CAP.	1500pF 50V K
C0112	NCB31HK-152X	C CAP.	1500pF 50V K
C0113	QETNLHM-108Z	E CAP.	1000μF 10V M
C0114	NCB31HK-472X	C CAP.	4700pF 50V K
C0115	NCB31HK-472X	C CAP.	4700pF 50V K
C0116	QETNLHM-106Z	E CAP.	10μF 50V M
C0117	QETNLHM-106Z	E CAP.	10μF 50V M
C0118	QETNLHM-106Z	E CAP.	10μF 50V M
C0119	QETNLHM-106Z	E CAP.	10μF 50V M
C0120	QETNLHM-106Z	E CAP.	10μF 50V M
C0121	QETNLHM-105Z	E CAP.	1μF 50V M
C0122	QETNLHM-105Z	E CAP.	1μF 50V M
C0123	QENCLHM-106Z	BP E CAP.	10μF 25V M
C0124	QETNLHM-105Z	E CAP.	1μF 50V M
C0125	QETNLHM-105Z	E CAP.	1μF 50V M
C0126	QENCLHM-105Z	E CAP.	1μF 50V M
C0127	QENCLHM-106Z	BP E CAP.	10μF 25V M
C0128	NCB31HK-103X	C CAP.	0.01μF 50V K
C0129	NCB31HK-103X	C CAP.	0.01μF 50V K
C0130	NCB31HK-103X	C CAP.	0.01μF 50V K
C0131	NCB31HK-103X	C CAP.	0.01μF 50V K
C0132	QETNLHM-106Z	E CAP.	10μF 50V M
C0133	QETNLHM-105Z	E CAP.	1μF 50V M
C0134	QETNLHM-106Z	E CAP.	10μF 50V M
C0135	QETNLHM-105Z	E CAP.	1μF 50V M
C0136	NCB31HK-103X	C CAP.	0.01μF 50V K
C0137	QENCLHM-105Z	E CAP.	1μF 50V M
C0138	NCF31AZ-105X	C CAP.	1μF 10V Z
C0139	QENCLHM-106Z	BP E CAP.	10μF 25V M
C0141	QETNLHM-477Z	E CAP.	470μF 16V M
C0142	NCB31HK-103X	C CAP.	0.01μF 50V K
C0143	QETNLHM-106Z	E CAP.	10μF 50V M
C0144	QENCLHM-106Z	BP E CAP.	10μF 25V M
C0145	QETNLHM-107Z	E CAP.	100μF 16V M

■ SYNC SEP PWB P.W. BOARD ASS'Y  
(SMF0V501A-H2)

Symbol No.	Part No.	Part Name	Description
<b>CAPACITOR</b>			
C0148	NCB31HK-103X	C CAP.	0.01μF 50V K
C0146	NCB31HK-103X	C CAP.	0.01μF 50V K
C0147	NCB31HK-103X	C CAP.	0.01μF 50V K
C0149	NCB31HK-103X	C CAP.	0.01μF 50V K
C0156	NCF31AZ-105X	C CAP.	1μF 10V Z
C0157	QETNLHM-106Z	E CAP.	10μF 50V M
C0601	QENCLHM-475Z	E CAP.	4.7μF 50V M
C0602	QETNLHM-475Z	E CAP.	4.7μF 50V M
C0603	QETNLHM-106Z	E CAP.	10μF 50V M
C0604	QETNLHM-107Z	E CAP.	100μF 16V M
C0605	NCB31HK-103X	C CAP.	0.01μF 50V K
C0606	QETNLHM-106Z	E CAP.	10μF 50V M
C0607	QETNLHM-106Z	E CAP.	10μF 50V M
C0608	QENCLHM-475Z	E CAP.	4.7μF 50V M
C0609	QENCLCM-226Z	E CAP.	22μF 16V M
C0610	QENCLCM-226Z	E CAP.	22μF 16V M
C0611	QETNLHM-105Z	E CAP.	1μF 50V M
C0612	QETNLHM-106Z	E CAP.	10μF 50V M
C0613	QETNLHM-107Z	E CAP.	100μF 16V M
C0614	NCB31HK-103X	C CAP.	0.01μF 50V K
C0615	NCB31EK-273X	C CAP.	0.027μF 25V K
C0616	QENCLCM-226Z	E CAP.	22μF 16V M
C0617	QETNLHM-107Z	E CAP.	100μF 10V M
C0618	NCB31CK-563X	C CAP.	0.056μF 16V K
C0619	NCB31EK-393X	C CAP.	0.039μF 25V K
C0620	QETNLHM-106Z	E CAP.	10μF 50V M
C1621	QETNLHM-476Z	E CAP.	47μF 50V M

**COIL**

L0001	QQL244K-270Z	PEAKING COIL	
L0002	QQL244K-100Z	COIL	10μH K
L0011	QQL244K-100Z	COIL	10μH K

**DIODE**

D0104	MA3120/M/-X	ZENER DIODE	
D0105	MA3120/M/-X	ZENER DIODE	
D0106	MA3120/M/-X	ZENER DIODE	
D0107	MA3120/M/-X	ZENER DIODE	
D0108	MA3120/M/-X	ZENER DIODE	
D0109	MA3120/M/-X	ZENER DIODE	
D0110	MA3056/M/-X	ZENER DIODE	

**TRANSISTOR**

Q0101	DTC323TK-X	DIGI. TRANSISTOR	
Q0102	2SC2412K/QR/-X	SI. TRANSISTOR	
Q0103	2SC2412K/QR/-X	SI. TRANSISTOR	
Q0104	2SA1037AK/QR/-X	SI. TRANSISTOR	
Q0105	DTC323TK-X	DIGI. TRANSISTOR	
Q0106	2SC2412K/QR/-X	SI. TRANSISTOR	
Q0107	2SC2412K/QR/-X	SI. TRANSISTOR	
Q0110	2SC1740S/QR/-T	SI. TRANSISTOR	
Q0111	2SC2412K/QR/-X	SI. TRANSISTOR	
Q0113	2SC2412K/QR/-X	SI. TRANSISTOR	

**IC**

IC0101	CXA2069Q	I. C.	
IC0601	AN5285K	I. C.	
IC0602	AN7395S-W	I. C.	

**OTHERS**

CN0001	QGB1505K1-50	CONNECTOR	
J0101	QNZ0454-001	PIN JACK	
J0102	QNN0349-001	PIN JACK	
J0103	QNN0349-002	PIN JACK	
J0104	QNN0348-001	PIN JACK	
J0105	QNN0349-001	PIN JACK	
J0106	QNS0001-001	JACK	
TU0001	QAU0217-001	TUNER	

Symbol No.	Part No.	Part Name	Description
<b>RESISTOR</b>			
R0301	NRS463J-101X	MG R	100Ω 1/16W J
R0302	NRS463J-101X	MG R	100Ω 1/16W J
R0303	NRS463J-331X	MG R	330Ω 1/16W J
R0304	NRS463J-822X	MG R	8.2kΩ 1/16W J
R0305	NRS463J-0R0X	MG R	0.0Ω 1/16W J
R0306	NRS463J-0R0X	MG R	0.0Ω 1/16W J

**CAPACITOR**

C0301	QFV71HJ-104Z	MF CAP.	0.1μF 50V J
C0302	NCB31CK-104X	C CAP.	0.1μF 16V K
C0303	QETNLHM-107Z	E CAP.	100μF 16V M
C0304	NCB31HK-103X	C CAP.	0.01μF 50V K
C0305	NCB31HK-103X	C CAP.	0.01μF 50V K
C0306	QETNLHM-225Z	E CAP.	2.2μF 50V M

**IC**

IC0301	TA1318N	I. C.	
--------	---------	-------	--

**OTHERS**

CN0015	QGB2501K1-10	CONNECTOR	
X0301	CSB503F30-T2	CER. RESONATOR	

■ 100Hz P.W. BOARD ASS'Y (SMF0Z801A-H2)

△ Symbol No.	Part No.	Part Name	Description
<b>RESISTOR</b>			
R0007	NRSA63J-0ROX	MG R	0.0Ω 1/16W J
R0008	NRSA63J-0ROX	MG R	0.0Ω 1/16W J
R0009	NRSA63J-0ROX	MG R	0.0Ω 1/16W J
R0010	NRSA63J-101X	MG R	100Ω 1/16W J
R0011	NRSA63J-101X	MG R	100Ω 1/16W J
R0012	NRSA63J-101X	MG R	100Ω 1/16W J
R0101	NRSA63J-332X	MG R	3.3kΩ 1/16W J
R0102	NRSA63J-222X	MG R	2.2kΩ 1/16W J
R0103	NRSA63J-222X	MG R	2.2kΩ 1/16W J
R0104	NRSA63J-332X	MG R	3.3kΩ 1/16W J
R0105	NRSA63J-222X	MG R	2.2kΩ 1/16W J
R0106	NRSA63J-222X	MG R	2.2kΩ 1/16W J
R0107	NRSA63J-750X	MG R	75Ω 1/16W J
R0111	NRSA63J-750X	MG R	75Ω 1/16W J
R0112	NRSA63J-750X	MG R	75Ω 1/16W J
R0113	NRSA63J-750X	MG R	75Ω 1/16W J
R0117	NRSA63J-0ROX	MG R	0.0Ω 1/16W J
R0118	NRSA63J-0ROX	MG R	0.0Ω 1/16W J
R0119	NRSA63J-0ROX	MG R	0.0Ω 1/16W J
R0120	NRSA63J-561X	MG R	560Ω 1/16W J
R0121	NRSA63J-0ROX	MG R	0.0Ω 1/16W J
R0123	NRSA63J-0ROX	MG R	0.0Ω 1/16W J
R0124	NRSA63J-101X	MG R	100Ω 1/16W J
R0125	NRSA63J-101X	MG R	100Ω 1/16W J
R0132	NRSA63J-100X	MG R	10Ω 1/16W J
R0133	NRSA63J-100X	MG R	10Ω 1/16W J
R0134	NRSA63J-100X	MG R	10Ω 1/16W J
R0135	NRSA63J-100X	MG R	10Ω 1/16W J
R0136	NRSA63J-100X	MG R	10Ω 1/16W J
R0137	NRSA63J-100X	MG R	10Ω 1/16W J
R0138	NRSA63J-100X	MG R	10Ω 1/16W J
R0139	NRSA63J-100X	MG R	10Ω 1/16W J
R0141	NRSA63J-100X	MG R	10Ω 1/16W J
R0151	NRSA63J-332X	MG R	3.3kΩ 1/16W J
R0152	NRSA63J-222X	MG R	2.2kΩ 1/16W J
R0153	NRSA63J-222X	MG R	2.2kΩ 1/16W J
R0154	NRSA63J-750X	MG R	75Ω 1/16W J
R0155	NRSA63J-101X	MG R	100Ω 1/16W J
R0156	NRSA63J-101X	MG R	100Ω 1/16W J
R0164	NRSA63J-0ROX	MG R	0.0Ω 1/16W J
R0165	NRSA63J-0ROX	MG R	0.0Ω 1/16W J
R0166	NRSA63J-0ROX	MG R	0.0Ω 1/16W J
R0170	NRSA63J-0ROX	MG R	0.0Ω 1/16W J
R0179	NRSA63J-100X	MG R	10Ω 1/16W J
R0180	NRSA63J-100X	MG R	10Ω 1/16W J
R0181	NRSA63J-100X	MG R	10Ω 1/16W J
R0182	NRSA63J-100X	MG R	10Ω 1/16W J
R0183	NRSA63J-100X	MG R	10Ω 1/16W J
R0184	NRSA63J-100X	MG R	10Ω 1/16W J
R0185	NRSA63J-100X	MG R	10Ω 1/16W J
R0186	NRSA63J-100X	MG R	10Ω 1/16W J
R0188	NRSA63J-100X	MG R	10Ω 1/16W J
R0194	NRSA63J-750X	MG R	75Ω 1/16W J
R0195	NRSA63J-750X	MG R	75Ω 1/16W J
R0196	NRSA63J-750X	MG R	75Ω 1/16W J
R0197	NRSA63J-561X	MG R	560Ω 1/16W J
R0198	NRSA63J-103X	MG R	10kΩ 1/16W J
R0201	NRSA63J-121X	MG R	120Ω 1/16W J
R0202	NRSA63J-101X	MG R	100Ω 1/16W J
R0203	NRSA63J-101X	MG R	100Ω 1/16W J
R0204	NRSA63J-0ROX	MG R	0.0Ω 1/16W J
R0217	NRSA63J-103X	MG R	10kΩ 1/16W J
R0218	NRSA63J-333X	MG R	33kΩ 1/16W J
R0219	NRSA63J-103X	MG R	10kΩ 1/16W J
R0220	NRSA63J-822X	MG R	8.2kΩ 1/16W J
R0221	NRSA63J-0ROX	MG R	0.0Ω 1/16W J
R0250	NRSA63J-0ROX	MG R	0.0Ω 1/16W J
R0251	NRSA63J-222X	MG R	2.2kΩ 1/16W J
R0252	NRSA63J-101X	MG R	100Ω 1/16W J
R0254	NRSA63J-391X	MG R	390Ω 1/16W J
R0255	NRSA63J-221X	MG R	220Ω 1/16W J
R0256	NRSA63J-221X	MG R	220Ω 1/16W J
R0257	NRSA63J-271X	MG R	270Ω 1/16W J

△ Symbol No.	Part No.	Part Name	Description
<b>RESISTOR</b>			
R0258	NRSA63J-222X	MG R	2.2kΩ 1/16W J
R0259	NRSA63J-472X	MG R	4.7kΩ 1/16W J
R0261	NRSA63J-222X	MG R	2.2kΩ 1/16W J
R0264	NRSA63J-391X	MG R	390Ω 1/16W J
R0271	NRSA63J-222X	MG R	2.2kΩ 1/16W J
R0274	NRSA63J-391X	MG R	390Ω 1/16W J
R0281	NRSA63J-0ROX	MG R	0.0Ω 1/16W J
R0291	NRSA63J-152X	MG R	1.5kΩ 1/16W J
R0292	NRSA63J-152X	MG R	1.5kΩ 1/16W J
R0293	NRSA63J-102X	MG R	1kΩ 1/16W J
R0301	NRSA63J-104X	MG R	100kΩ 1/16W J
R0302	NRSA63J-104X	MG R	100kΩ 1/16W J
R0303	NRSA63J-104X	MG R	100kΩ 1/16W J
R0304	NRSA63J-101X	MG R	100Ω 1/16W J
R0305	NRSA63J-101X	MG R	100Ω 1/16W J
R0306	NRSA63J-152X	MG R	1.5kΩ 1/16W J
R0307	NRSA63J-152X	MG R	1.5kΩ 1/16W J
R0308	NRSA63J-152X	MG R	1.5kΩ 1/16W J
R0321	NRSA63J-272X	MG R	2.7kΩ 1/16W J
R0322	NRSA63J-182X	MG R	1.8kΩ 1/16W J
R0323	NRSA63J-332X	MG R	3.3kΩ 1/16W J
R0331	NRSA63J-272X	MG R	2.7kΩ 1/16W J
R0332	NRSA63J-182X	MG R	1.8kΩ 1/16W J
R0333	NRSA63J-332X	MG R	3.3kΩ 1/16W J
R0341	NRSA63J-153X	MG R	15kΩ 1/16W J
R0342	NRSA63J-102X	MG R	1kΩ 1/16W J
R0343	NRSA63J-272X	MG R	2.7kΩ 1/16W J
R0344	NRSA63J-152X	MG R	1.5kΩ 1/16W J
R0345	NRSA63J-101X	MG R	100Ω 1/16W J
R0351	NRSA63J-152X	MG R	1.5kΩ 1/16W J
R0361	NRSA63J-272X	MG R	2.7kΩ 1/16W J
R0371	NRSA63J-272X	MG R	2.7kΩ 1/16W J
R0401	NRSA63J-473X	MG R	47kΩ 1/16W J
R0402	NRSA63J-472X	MG R	4.7kΩ 1/16W J
R0404	NRSA63J-0ROX	MG R	0.0Ω 1/16W J
R0407	NRSA63J-0ROX	MG R	0.0Ω 1/16W J
R0409	NRSA63J-0ROX	MG R	0.0Ω 1/16W J

**CAPACITOR**

C0001	NCB31CK-104X	C CAP.	0.1μF 16V K
C0002	NEH71CM-476X	E CAP.	47μF 16V M
C0003	NCB31CK-104X	C CAP.	0.1μF 16V K
C0004	NEH71CM-476X	E CAP.	47μF 16V M
C0005	NCB31CK-104X	C CAP.	0.1μF 16V K
C0006	NEH71CM-476X	E CAP.	47μF 16V M
C0007	NDC31HJ-4ROX	C CAP.	4.0pF 50V J
C0008	NDC31HJ-4ROX	C CAP.	4.0pF 50V J
C0009	NDC31HJ-4ROX	C CAP.	4.0pF 50V J
C0101	NEH71CM-106X	E CAP.	10μF 16V M
C0102	NCB31EK-473X	C CAP.	0.047μF 25V K
C0103	NEH71CM-476X	E CAP.	47μF 16V M
C0104	NCB31HK-152X	C CAP.	1500pF 50V K
C0105	NDC31HJ-102X	C CAP.	1000pF 50V J
C0106	NCB31CK-104X	C CAP.	0.1μF 16V K
C0107	NCF31CZ-224X	C CAP.	0.22μF 16V Z
C0108	NCB31HK-152X	C CAP.	1500pF 50V K
C0109	NDC31HJ-391X	C CAP.	390pF 50V J
C0110	NEH71CM-106X	E CAP.	10μF 16V M
C0111	NCB31EK-473X	C CAP.	0.047μF 25V K
C0112	NDC31HJ-331X	C CAP.	330pF 50V J
C0116	NCF31CZ-224X	C CAP.	0.22μF 16V Z
C0117	NCF31CZ-224X	C CAP.	0.22μF 16V Z
C0118	NCF31CZ-224X	C CAP.	0.22μF 16V Z
C0122	NDC31HJ-331X	C CAP.	330pF 50V J
C0123	NDC31HJ-331X	C CAP.	330pF 50V J
C0124	NDC31HJ-331X	C CAP.	330pF 50V J
C0125	NDC31HJ-3ROX	C CAP.	3.0pF 50V J
C0126	NDC31HJ-3ROX	C CAP.	3.0pF 50V J
C0128	NCB31CK-104X	C CAP.	0.1μF 16V K
C0129	NCF31CZ-224X	C CAP.	0.22μF 16V Z
C0130	NDC31HJ-391X	C CAP.	390pF 50V J
C0131	NCB31HK-152X	C CAP.	1500pF 50V K



Symbol No.	Part No.	Part Name	Description
<b>CAPACITOR</b>			
C0132	NCB31EK-473X	C CAP.	0.047µF 25V K
C0133	NCB31HK-152X	C CAP.	1500pF 50V K
C0134	NCB31CK-683X	C CAP.	0.068µF 16V K
C0136	NCB31CK-683X	C CAP.	0.068µF 16V K
C0137	NCB31CK-683X	C CAP.	0.068µF 16V K
C0138	NCB31HK-152X	C CAP.	1500pF 50V K
C0139	NCB31EK-473X	C CAP.	0.047µF 25V K
C0140	NEH71CM-476X	E CAP.	47µF 16V M
C0141	NDC31HJ-100X	C CAP.	10pF 50V J
C0151	NEH71CM-106X	E CAP.	10µF 16V M
C0152	NCB31EK-473X	C CAP.	0.047µF 25V K
C0153	NEH71CM-476X	E CAP.	47µF 16V M
C0154	NCB31HK-152X	C CAP.	1500pF 50V K
C0155	NCB31CK-104X	C CAP.	0.1µF 16V K
C0156	NCF31CZ-224X	C CAP.	0.22µF 16V Z
C0157	NCB31HK-152X	C CAP.	1500pF 50V K
C0158	NDC31HJ-391X	C CAP.	390pF 50V J
C0159	NEH71CM-106X	E CAP.	10µF 16V M
C0160	NCB31EK-473X	C CAP.	0.047µF 25V K
C0161	NDC31HJ-331X	C CAP.	330pF 50V J
C0165	NCF31CZ-224X	C CAP.	0.22µF 16V Z
C0166	NCF31CZ-224X	C CAP.	0.22µF 16V Z
C0167	NCF31CZ-224X	C CAP.	0.22µF 16V Z
C0172	NDC31HJ-331X	C CAP.	330pF 50V J
C0173	NDC31HJ-331X	C CAP.	330pF 50V J
C0174	NDC31HJ-3R0X	C CAP.	3.0pF 50V J
C0175	NDC31HJ-3R0X	C CAP.	3.0pF 50V J
C0176	NDC31HJ-331X	C CAP.	330pF 50V J
C0177	NCB31CK-104X	C CAP.	0.1µF 16V K
C0178	NCF31CZ-224X	C CAP.	0.22µF 16V Z
C0179	NDC31HJ-391X	C CAP.	390pF 50V J
C0180	NCB31HK-152X	C CAP.	1500pF 50V K
C0181	NCB31EK-473X	C CAP.	0.047µF 25V K
C0182	NCB31HK-152X	C CAP.	1500pF 50V K
C0183	NCB31CK-683X	C CAP.	0.068µF 16V K
C0185	NCB31CK-683X	C CAP.	0.068µF 16V K
C0186	NCB31CK-683X	C CAP.	0.068µF 16V K
C0187	NCB31HK-152X	C CAP.	1500pF 50V K
C0188	NCB31EK-473X	C CAP.	0.047µF 25V K
C0189	NEH71CM-476X	E CAP.	47µF 16V M
C0191	NCB31CK-104X	C CAP.	0.1µF 16V K
C0201	NEH71CM-476X	E CAP.	47µF 16V M
C0202	NCB31CK-104X	C CAP.	0.1µF 16V K
C0203	NCB31CK-104X	C CAP.	0.1µF 16V K
C0204	NCB31CK-104X	C CAP.	0.1µF 16V K
C0205	NCB31CK-104X	C CAP.	0.1µF 16V K
C0206	NEH71CM-476X	E CAP.	47µF 16V M
C0207	NCB31CK-104X	C CAP.	0.1µF 16V K
C0208	NCB31CK-104X	C CAP.	0.1µF 16V K
C0209	NCB31CK-104X	C CAP.	0.1µF 16V K
C0210	NCB31CK-104X	C CAP.	0.1µF 16V K
C0211	NCB31CK-104X	C CAP.	0.1µF 16V K
C0212	NDC31HJ-180X	C CAP.	18pF 50V J
C0213	NDC31HJ-180X	C CAP.	18pF 50V J
C0214	NCB31CK-104X	C CAP.	0.1µF 16V K
C0215	NCB31CK-104X	C CAP.	0.1µF 16V K
C0216	NCB31CK-104X	C CAP.	0.1µF 16V K
C0217	NCB31CK-104X	C CAP.	0.1µF 16V K
C0218	NDC31HJ-561X	C CAP.	560pF 50V J
C0219	NEH71CM-476X	E CAP.	47µF 16V M
C0220	NCB31CK-104X	C CAP.	0.1µF 16V K
C0221	NCB31CK-104X	C CAP.	0.1µF 16V K
C0222	NCB31CK-104X	C CAP.	0.1µF 16V K
C0223	NCB31CK-104X	C CAP.	0.1µF 16V K
C0224	NCB31CK-104X	C CAP.	0.1µF 16V K
C0225	NCB31CK-104X	C CAP.	0.1µF 16V K
C0226	NCB31CK-104X	C CAP.	0.1µF 16V K
C0227	NCB31CK-104X	C CAP.	0.1µF 16V K
C0228	NCB31CK-104X	C CAP.	0.1µF 16V K
C0229	NCB31CK-104X	C CAP.	0.1µF 16V K
C0231	NCB31CK-104X	C CAP.	0.1µF 16V K
C0232	NCB31CK-104X	C CAP.	0.1µF 16V K
C0233	NCB31CK-104X	C CAP.	0.1µF 16V K
C0234	NCB31CK-104X	C CAP.	0.1µF 16V K
C0235	NCB31CK-104X	C CAP.	0.1µF 16V K

Symbol No.	Part No.	Part Name	Description
<b>CAPACITOR</b>			
C0237	NEH71CM-106X	E CAP.	10µF 16V M
C0238	NEH71CM-106X	E CAP.	10µF 16V M
C0239	NCB31CK-104X	C CAP.	0.1µF 16V K
C0241	NCB31CK-104X	C CAP.	0.1µF 16V K
C0242	NCB31CK-104X	C CAP.	0.1µF 16V K
C0243	NCB31CK-104X	C CAP.	0.1µF 16V K
C0244	NCB31CK-104X	C CAP.	0.1µF 16V K
C0251	NDC31HJ-4R0X	C CAP.	4.0pF 50V J
C0252	NCB31CK-104X	C CAP.	0.1µF 16V K
C0253	NCB31CK-104X	C CAP.	0.1µF 16V K
C0254	NDC31HJ-120X	C CAP.	12pF 50V J
C0255	NDC31HJ-270X	C CAP.	27pF 50V J
C0256	NEH71CM-106X	E CAP.	10µF 16V M
C0261	NDC31HJ-4R0X	C CAP.	4.0pF 50V J
C0262	NCB31CK-104X	C CAP.	0.1µF 16V K
C0263	NCB31CK-104X	C CAP.	0.1µF 16V K
C0264	NDC31HJ-120X	C CAP.	12pF 50V J
C0265	NDC31HJ-270X	C CAP.	27pF 50V J
C0271	NDC31HJ-4R0X	C CAP.	4.0pF 50V J
C0272	NCB31CK-104X	C CAP.	0.1µF 16V K
C0273	NCB31CK-104X	C CAP.	0.1µF 16V K
C0274	NDC31HJ-120X	C CAP.	12pF 50V J
C0275	NDC31HJ-270X	C CAP.	27pF 50V J
C0281	NCF31AZ-105X	C CAP.	1µF 10V Z
C0282	NEH71CM-476X	E CAP.	47µF 16V M
C0283	NCB31CK-104X	C CAP.	0.1µF 16V K
C0284	NCB31CK-104X	C CAP.	0.1µF 16V K
C0285	NCB31CK-104X	C CAP.	0.1µF 16V K
C0286	NEH71CM-106X	E CAP.	10µF 16V M
C0301	NEH71CM-476X	E CAP.	47µF 16V M
C0302	NCB31CK-104X	C CAP.	0.1µF 16V K
C0303	NCB31CK-104X	C CAP.	0.1µF 16V K
C0351	NEH71CM-476X	E CAP.	47µF 16V M
C0352	NCB31HK-103X	C CAP.	0.01µF 50V K
C0402	NCB31CK-104X	C CAP.	0.1µF 16V K
C0403	NCB31CK-104X	C CAP.	0.1µF 16V K
C0404	NDC31HJ-330X	C CAP.	33pF 50V J

**COIL**

L0001	NQL092K-1R5X	INDUCTOR	
L0002	NQL092K-1R5X	INDUCTOR	
L0003	NQL092K-1R5X	INDUCTOR	
L0101	NQL034K-150X	INDUCTOR	
L0102	NQL092K-3R3X	INDUCTOR	
L0106	NQL092K-3R3X	INDUCTOR	
L0107	NQL092K-3R3X	INDUCTOR	
L0108	NQL092K-3R3X	INDUCTOR	
L0109	NQL092K-3R3X	INDUCTOR	
L0151	NQL034K-150X	INDUCTOR	
L0155	NQL092K-3R3X	INDUCTOR	
L0156	NQL092K-3R3X	INDUCTOR	
L0157	NQL092K-3R3X	INDUCTOR	
L0159	NQL034K-6R8X	INDUCTOR	
L0201	NQL034K-100X	INDUCTOR	
L0202	NQL034K-100X	INDUCTOR	
L0203	NQL034K-100X	INDUCTOR	
L0204	NQL034K-100X	INDUCTOR	
L0205	NQL034K-100X	INDUCTOR	
L0207	NQL034K-100X	INDUCTOR	
L0208	NQL034K-100X	INDUCTOR	
L0209	NQL092K-1R5X	INDUCTOR	
L0210	NQL092K-1R5X	INDUCTOR	
L0211	NQR0413-003X	BEADS CORE	
L0251	NQL092K-5R6X	INDUCTOR	
L0261	NQL092K-5R6X	INDUCTOR	
L0271	NQL092K-5R6X	INDUCTOR	

**DIODE**

D0201	MA111-X	SI DIODE	
D0202	MA111-X	SI DIODE	
D0203	MA111-X	SI DIODE	
D0204	MA111-X	SI DIODE	
D0401	MA111-X	SI DIODE	

Symbol No.	Part No.	Part Name	Description
<b>TRANSISTOR</b>			
Q0101	2SA1037AK/QR/-X	SI . TRANSISTOR	
Q0102	2SA1037AK/QR/-X	SI . TRANSISTOR	
Q0151	2SA1037AK/QR/-X	SI . TRANSISTOR	
Q0201	2SA1037AK/QR/-X	SI . TRANSISTOR	
Q0251	2SA1037AK/QR/-X	SI . TRANSISTOR	
Q0252	2SA1037AK/QR/-X	SI . TRANSISTOR	
Q0253	2SC2412K/QR/-X	SI . TRANSISTOR	
Q0261	2SA1037AK/QR/-X	SI . TRANSISTOR	
Q0271	2SA1037AK/QR/-X	SI . TRANSISTOR	
Q0301	2SC2412K/QR/-X	SI . TRANSISTOR	
Q0302	2SC2412K/QR/-X	SI . TRANSISTOR	
Q0303	2SC2412K/QR/-X	SI . TRANSISTOR	
Q0321	2SC2412K/QR/-X	SI . TRANSISTOR	
Q0322	2SC2412K/QR/-X	SI . TRANSISTOR	
Q0331	2SC2412K/QR/-X	SI . TRANSISTOR	
Q0332	2SC2412K/QR/-X	SI . TRANSISTOR	
Q0341	2SC2412K/QR/-X	SI . TRANSISTOR	
Q0342	2SA1037AK/QR/-X	SI . TRANSISTOR	
Q0351	2SC2412K/QR/-X	SI . TRANSISTOR	
Q0361	2SA1037AK/QR/-X	SI . TRANSISTOR	
Q0371	2SA1037AK/QR/-X	SI . TRANSISTOR	

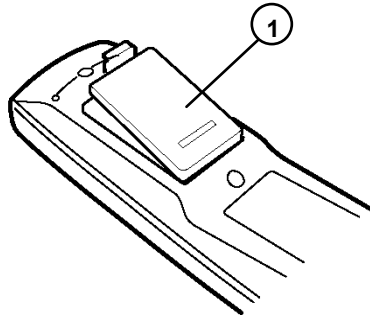
**IC**


IC0101	VPC3230D-QA-BB	I . C.
IC0151	VPC3230D-QA-BB	I . C.
IC0201	SAA4979H/V105	I . C.
IC0202	SAA4994H/V1	I . C.
IC0203	SAA4955HL/V1	I . C.
IC0204	SAA4955HL/V1	I . C.
IC0205	SAA4955HL/V1	I . C.
IC0206	TC7W08F-X	I . C.
IC0207	TC7W08F-X	I . C.
IC0208	TC7W08F-X	I . C.
IC0209	TC7W08F-X	I . C.
IC0210	TC7W08F-X	I . C.
IC0211	TC7WU04FU-X	I . C.
IC0212	R1170H251B-X	I . C.
IC0213	TC7WH32FK-X	I . C.
IC0301	TD49178T/N1-X	I . C.
IC0351	TC4053BF/N1-VE	I . C.
IC0401	S-80828ANP-W	I . C.
IC0402	TC7WH34FU-X	I . C.

**OTHERS**

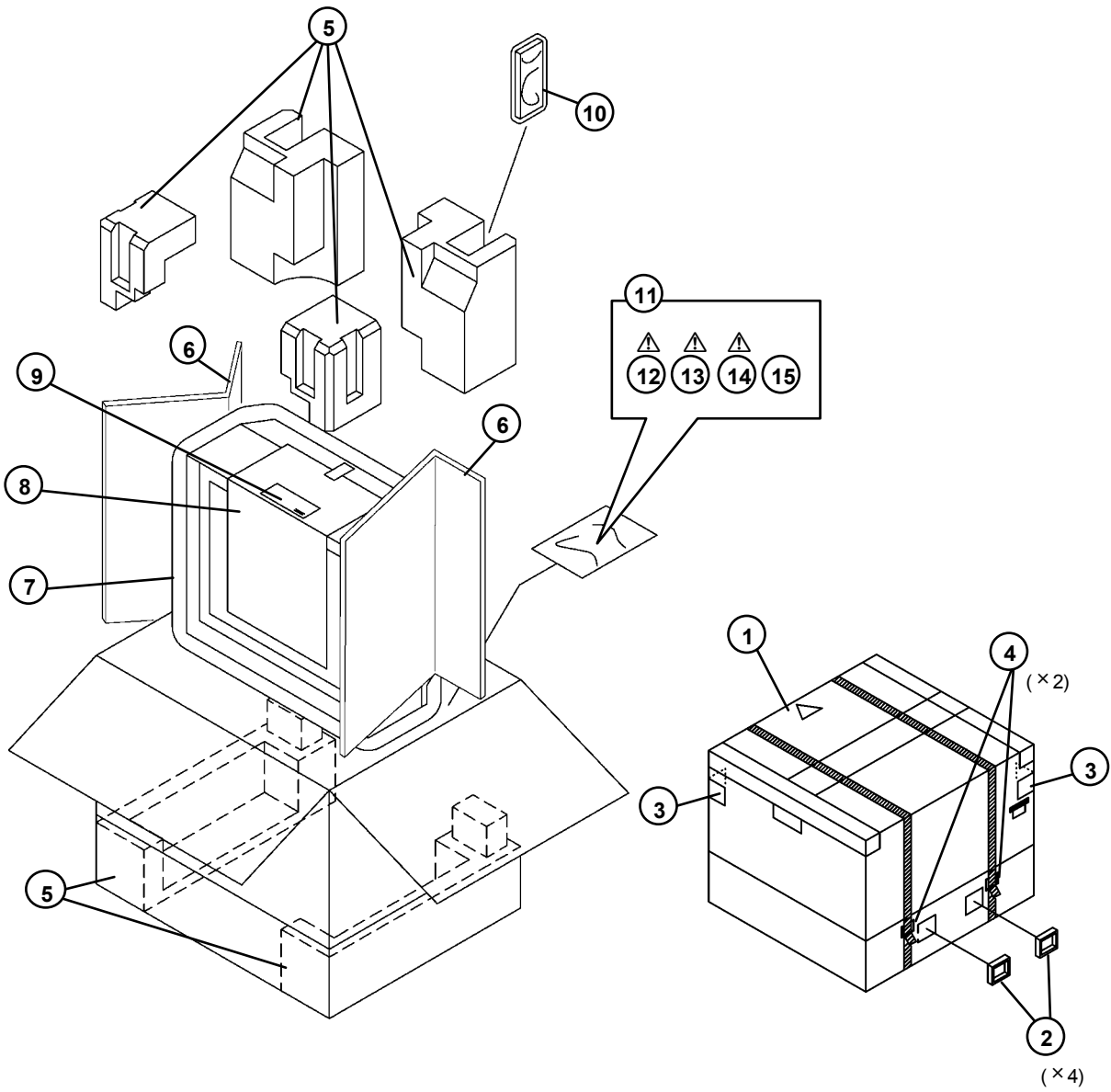
CN0003	QGB1505K1-50	CONNECTOR
LC0010	NQR0313-009X	EMI FILTER
LC0011	NQR0313-009X	EMI FILTER
LC0012	NQR0313-009X	EMI FILTER
LC0013	NQR0313-004X	EMI FILTER
LC0014	NQR0313-007X	EMI FILTER
LC0015	NQR0313-007X	EMI FILTER
X0101	QAX0655-001Z	CRYSTAL
X0151	QAX0655-001Z	CRYSTAL
X0201	QAX0273-001Z	CRYSTAL

## REMOTE CONTROL UNIT PARTS LIST



 Ref.No.	Part No.	Part Name	Description
1	BKL11C204A	BATTERY COVER	(RM-C214-1C/RM-C215-1C)

# PACKING



## PACKING PARTS LIST

△ Ref.No.	Part No.	Part Name	Description
<b>HV-34LPZ</b>			
1	LC10611-010B-H	PACKING CASE	
2	CP30903-001	JOINT	(×4)
3	GG20012-001A-H	CONER LABEL	(×2)
4	GG30032-001A-H	CLIP	(×2)
5	LC11084-002A-H	CUSHION ASSY	6pcs in 1set
6	GG20011-002A-H	SUPPORT PAD	(×2)
7	CP30967-006-H	POLY BAG	
8	LC30946-001A-H	CRT PROTECTIR	
9	LC30947-002A-H	CAUTION SHEET	
10	RM-C214-1C	REMOCON UNIT	
11	CP30966-001-H	POLY BAG	
△ 12	LCT1215-001A-H	INST BOOK	
<b>HV-34LPZ/HK</b>			
1	LC10611-010B-H	PACKING CASE	
2	CP30903-001	JOINT	(×4)
3	GG20012-001A-H	CONER LABEL	(×2)
4	GG30032-001A-H	CLIP	(×2)
5	LC11084-002A-H	CUSHION ASSY	6pcs in 1set
6	GG20011-002A-H	SUPPORT PAD	(×2)
7	CP30967-006-H	POLY BAG	
8	LC30946-001A-H	CRT PROTECTOR	
9	LC30947-002A-H	CAUTION SHEET	
10	RM-C215-1C	REMOCON UNIT	
11	CP30966-001-H	POLY BAG	
△ 12	LCT1217-001A-H	INST BOOK	
<b>HV-34LPZ/A</b>			
1	LC10611-010B-H	PACING CASE	
2	CP30903-001	JOINT	(×4)
3	GG20012-001A-H	CONER LABEL	(×2)
4	GG30032-001A-H	CLIP	(×2)
5	LC11084-002A-H	CUSHION ASSY	6pcs in 1set
6	GG20011-002A-H	SUPPORT PAD	(×2)
7	CP30967-006-H	POLY BAG	
8	LC30946-001A-H	CRT CRTPROTER	
9	LC30947-002A-H	CAUTION SHEET	
10	RM-C214-1C	REMOCON UNIT	
11	CP30966-001-H	POLY BAG	
△ 12	LCT1215-001A-H	INST BOOK	
△ 13	LCT1216-001A-H	DIGEST MANUAL	
△ 14	QAM0055-001	CONVERSION PLUG	
<b>HV-34LPZ/EE</b>			
1	LC10611-010B-H	PACKIG CASE	
2	CP30903-001	JOINT	(×4)
3	GG20012-001A-H	CONER LABEL	(×2)
4	GG30032-001A-H	CLIP	(×2)
5	LC11084-002A-H	CUSHION ASSY	6pcs in 1set
6	GG20011-002A-H	SUPPORT PAD	(×2)
7	CP30967-006-H	POLY BAG	
8	LC30946-001A-H	CRT PROTER	
9	LC30947-002A-H	CAUTION SHEET	
10	RM-C214-1C	REMOCON UNIT	
11	CP30966-001-H	POLY BAG	
△ 12	LCT1218-001A-H	INST BOOK	
15	BT-54012-2	WARRANTY CARD	

...

....

---

---

**Memo**

---

---

..

---

---

**Memo**

---

---

..

**JVC**

VICTOR COMPANY OF JAPAN, LIMITED

HOME AV NETWORK BUSINESS UNIT 12, 3-chome, Moriya-cho, Kanagawa-ku, Yokohama, Kanagawa-prefecture, 221-8528, Japan

HV34LPZ-H, HV34LPZHK-H  
HV34LPZA-H, HV34LPZEE-H



VP 0206  
DP058